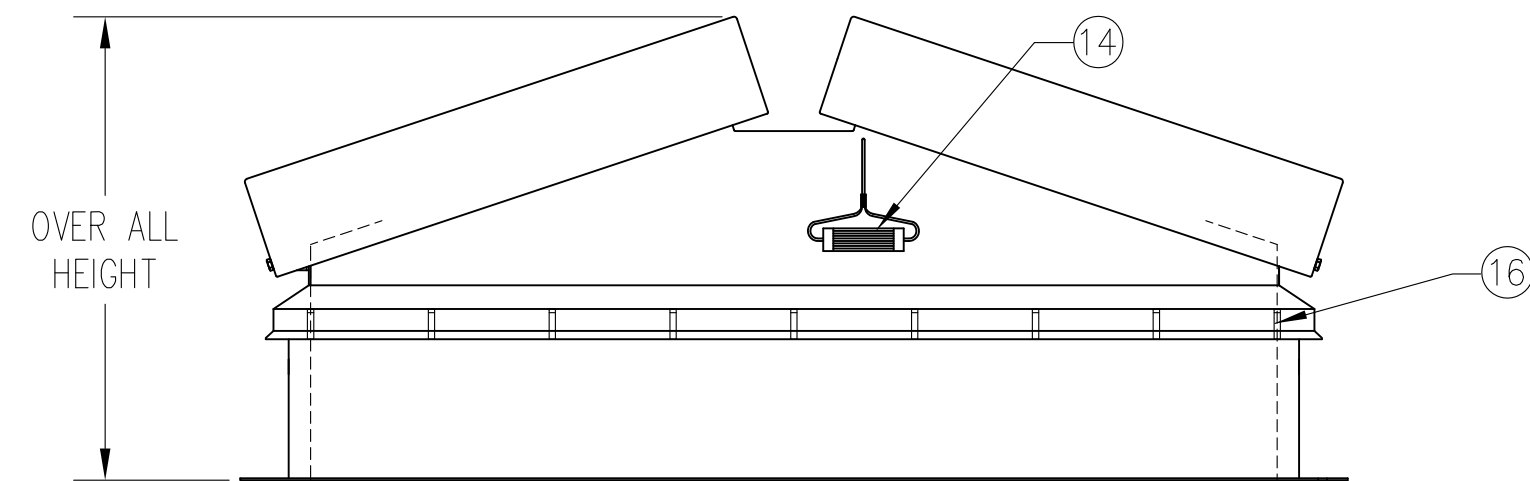


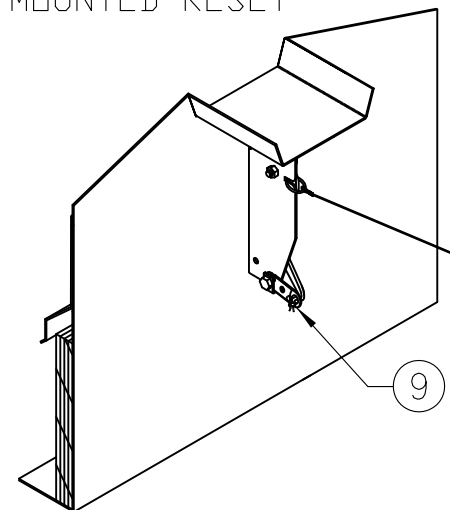
NOTE

- COVERS SHALL OPEN AGAINST 10 PSF (49 kg/m²) SNOW/WIND LOAD
- VENT ASSEMBLY RATED FOR 40 PSF (195 kg/m²) LIVE LOAD
- COVERS WILL REMAIN CLOSED UNDER 90 PSF (438 kg/m²) WIND UPLIFT FORCE

SLOPED COVER DESIGN MEETS INTERNATIONAL BUILDING CODE REQUIREMENTS (2012 IBC 2610.3)



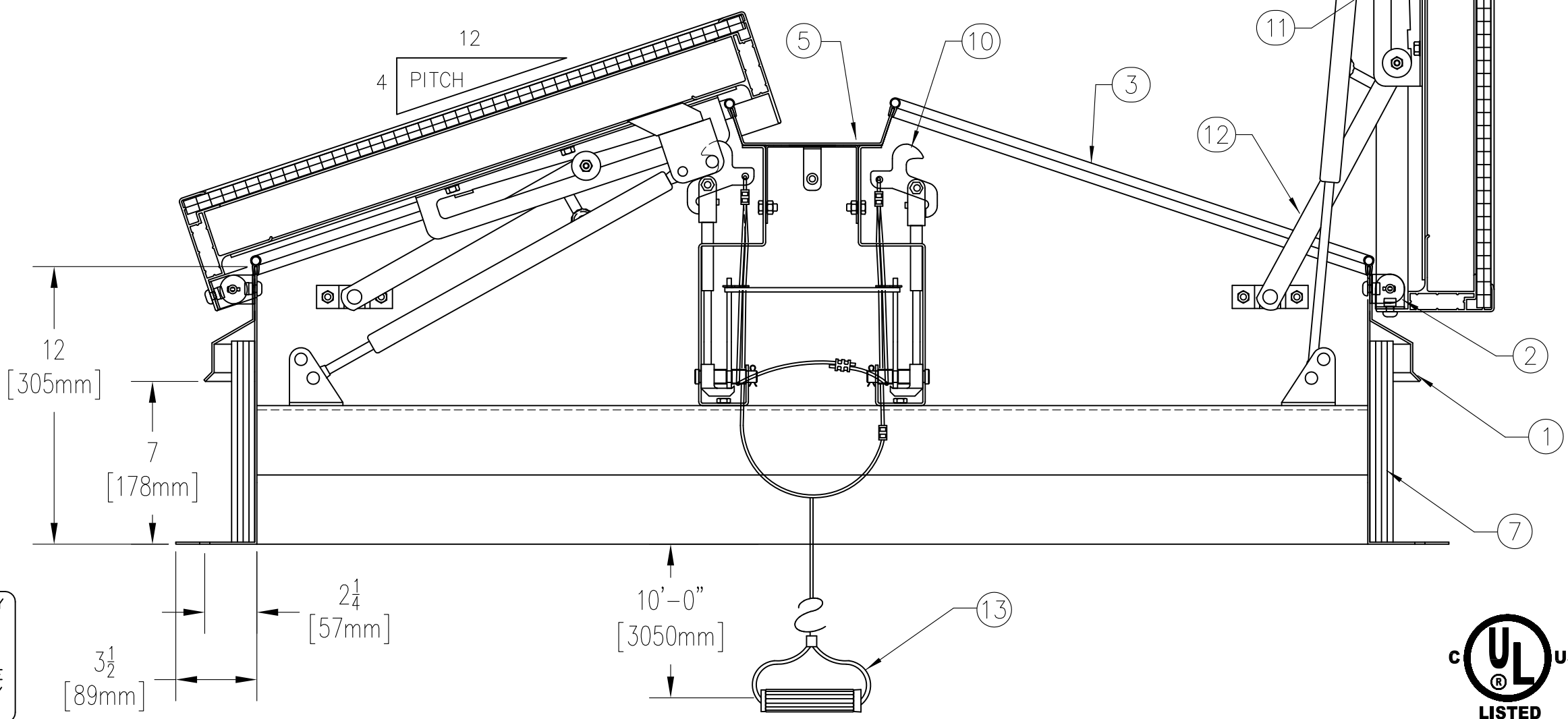
THERMOLATCH® II CURB - MOUNTED RESET



1. THERMOLATCH MECHANISM - COVERS WILL OPERATE ONLY WHEN ACTIVATED
 A. MANUALLY
 B. BY HEAT AT 165° FUSIBLE LINK

VIEW C

THIS DRAWING IS THE PROPERTY OF THE BILCO COMPANY AND INCORPORATES INFORMATION WHICH IS PROPRIETARY. PUBLICATION AND/OR PUBLIC DISTRIBUTION IN WHOLE OR IN PART IS EXPRESSLY PROHIBITED WITHOUT THE PRIOR WRITTEN CONSENT OF THE BILCO COMPANY. THE INFORMATION CONTAINED HEREIN REMAINS THE PROPERTY OF THE BILCO COMPANY. ALL RIGHTS RESERVED.



SPECIFICATIONS

- FRAME W/ CAPFLASHING (CORNERS FULL WELDED)
LV B - 11 GAUGE ALUMINUM
- PINTLE HINGE
- GASKET (ALL AROUND FRAME)
- EXTRUDED ALUMINUM COVER FRAME
- FIXED CENTER DRAIN
- GAS SPRINGS WITH INTEGRAL DAMPER
- 1" RIGID FIBERBOARD INSULATION
- TRANSLUCENT STRUCTURED POLYCARBONATE GLAZING
- 165° FUSIBLE LINK (EXTRA LINK PROVIDED)
- THERMOLATCH II® POSITIVE HOLD/RELEASE MECHANISM
- ARM GUIDE BRACKET
- HOLD OPEN ARM W/ RED VINYL GRIP
- PULL GRIP TO OPEN FROM INSIDE 1/8" DIA. STEEL CABLE
- PULL GRIP TO OPEN FROM OUTSIDE 1/8" DIA. STEEL CABLE
- COVER LATCH BRACKET
- BILCLIP® FLASHING SYSTEM
- GUIDE ARM

SHOP FINISH:
 ALUMINUM: MILL FINISH
 HARDWARE: ZINC PLATED & CHROMATE SEALED (UNLESS OTHERWISE SPECIFIED)

THIS PRODUCT MAY BE INSTALLED ON EITHER A FLAT OR SLOPING ROOF. WHEN INSTALLED ON A SLOPE, THE HINGE SIDE MUST RUN PARALLEL WITH THE SLOPE. IF SLOPE EXCEEDS 30°, ADVISE FACTORY FOR MODIFICATION.

CUSTOMER:

P.O. N°

JOB:

SALES REP:

Manufacturers of Doors for Special Services
Bilco® THE BILCO COMPANY
 New Haven, Connecticut 06505

DOUBLE LEAF FIRE VENT TYPE LV

QTY	TYPE	SIZE WIDTH x LENGTH	OVER ALL HEIGHT
	LV4848B	4'-0" x 4'-0" [1220mm] x [1220mm]	23" [585mm]
	LV4896B	4'-0" x 8'-0" [1220mm] x [2440mm]	23" [585mm]
	LV6096B	5'-0" x 8'-0" [1525mm] x [2440mm]	25" [635mm]