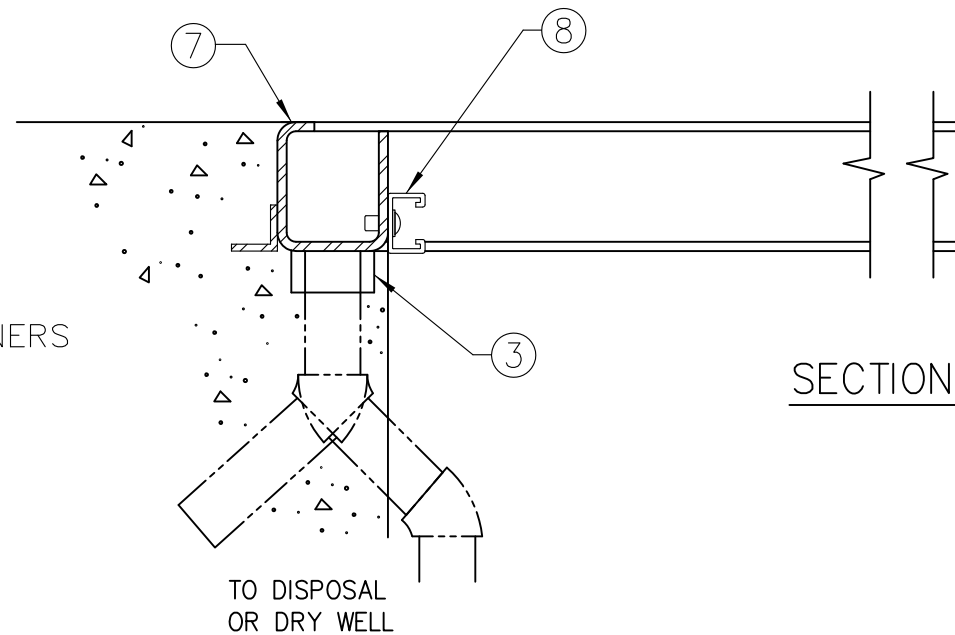
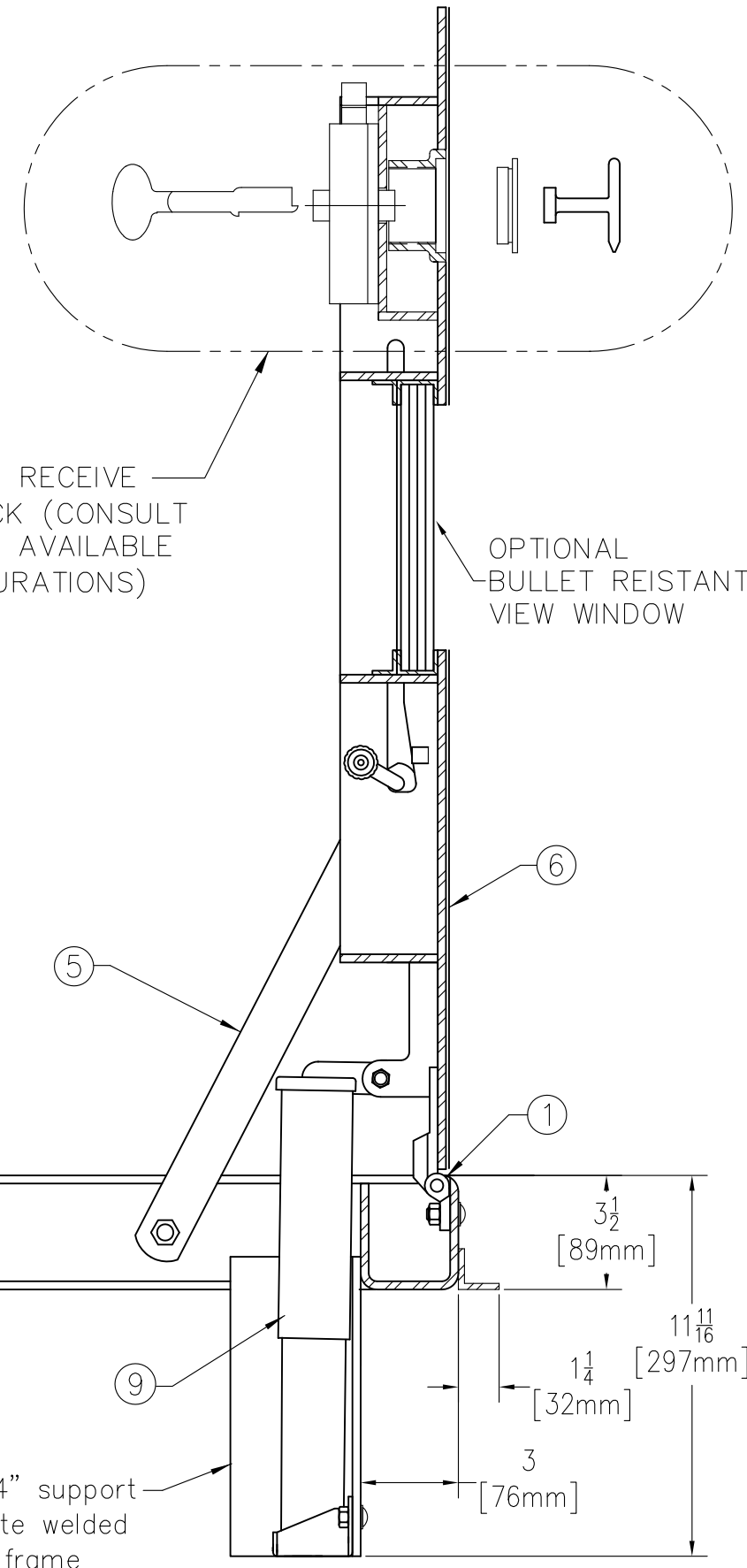


PREPARED TO RECEIVE SECURITY LOCK (CONSULT FACTORY FOR AVAILABLE LOCK CONFIGURATIONS)



NOTE: SECURITY FASTENERS THROUGHOUT

THIS DRAWING IS THE PROPERTY OF THE BILCO COMPANY AND INCORPORATES INFORMATION WHICH IS PROPRIETARY. PUBLICATION AND/OR PUBLIC DISTRIBUTION IN WHOLE OR IN PART IS EXPRESSLY PROHIBITED WITHOUT THE PRIOR WRITTEN CONSENT OF THE BILCO COMPANY. THE INFORMATION CONTAINED HEREIN REMAINS THE PROPERTY OF THE BILCO COMPANY. ALL RIGHTS RESERVED.

**SPECIFICATIONS**

1. Bilco heavy duty forged brass hinges with stainless steel pins
2. Guide arm (if req'd)
3. 1-1/2" drain coupling
4. Flush lift handle
5. Bilco automatic hold open arm w/ red vinyl grip
6. 1/4" steel diamond pattern plate cover
7. Bilco 1/4" steel channel frame with welded 1 1/4" x 1 1/4" anchor flange
8. Lock strike
9. Lifting mechanism with steel tubes and compression springs

SHOP FINISH:  
 STEEL: RED OXIDE PRIMER  
 HARDWARE: ZINC PLATED & CHROMATE SEALED  
 (unless otherwise specified)

REINFORCED FOR 300 Lbs. PER Sq. Ft.  
 (1464 kg. PER Sq. METER) LIVE LOAD

**INSTALLER NOTES:**

- A. Use caution. Cover is spring loaded. Do not remove safety shipping bolt until unit is to be installed and in normal horizontal operating position.
- B. Be sure unit is set on slight pitch toward drain corner.
- C. Before anchoring in place open and close door. Check to see that the door in the closed position rests on the frame all around. If not, shim under the frame at the proper corner.
- D. Do not reduce 1 1/2" drain pipe to dry well or disposal system.

Customer:

P.O. N°

Job:

Sales Rep:

Manufacturers of Doors for Special Services  
**Bilco**® THE BILCO COMPANY  
 New Haven, Connecticut 06505

**SINGLE LEAF ACCESS DOOR  
 TYPE J-C - SECURITY**

QTY	TYPE	SIZE WIDTH x LENGTH
□	<b>J-C</b>	_____ x _____ HINGE SIDE

SHOWN IN STEEL, ALSO AVAILABLE IN ALUMINUM

FOR SIZE LIMITATIONS ON THIS UNIT, CONSULT FACTORY