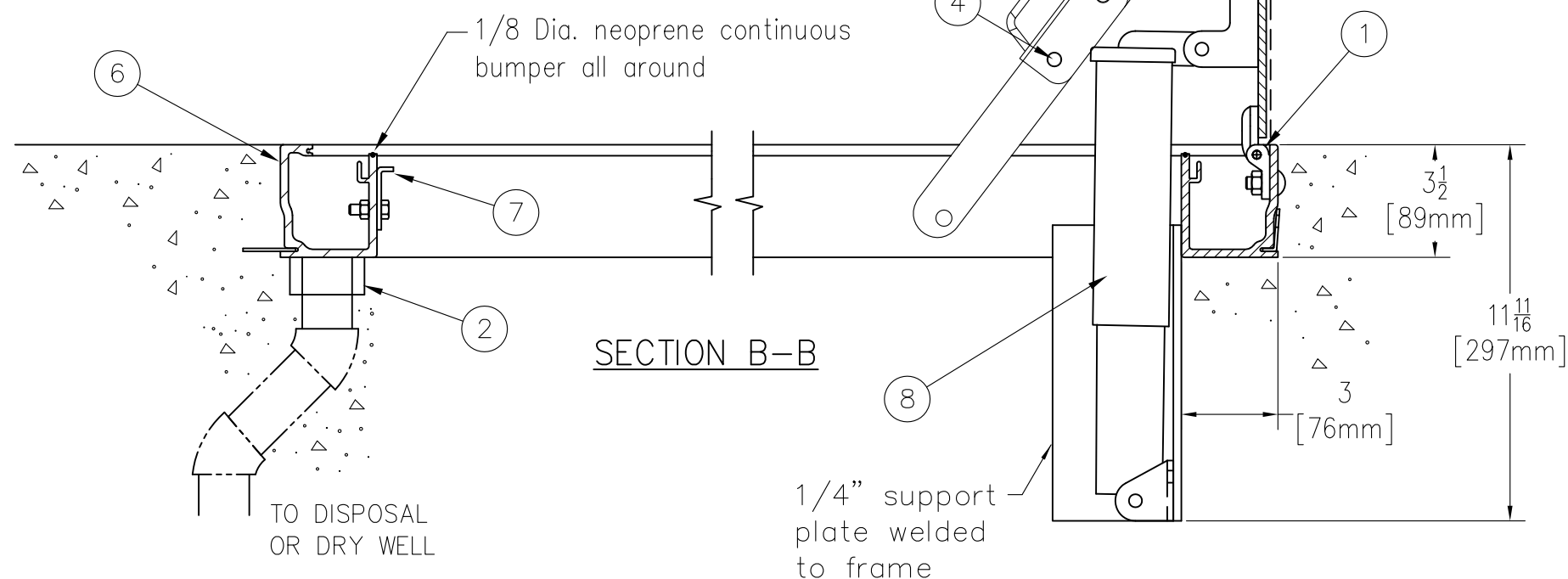


Frame areas that come in contact with concrete shall be coated with bituminous paint



SPECIFICATIONS

1. Bilco heavy duty forged stainless steel hinges with stainless steel pins
2. 1-1/2" drain coupling
3. Standard slam lock
4. Bilco automatic hold open arm
5. 1/4" aluminum diamond pattern plate cover
6. Bilco 1/4" aluminum channel frame with recessed anchors
7. Stainless steel lock strike
8. Stainless steel spring lifting mechanism

SHOP FINISH:
 ALUMINUM: MILL FINISH
 HARDWARE: TYPE 316 STAINLESS STEEL
 (unless otherwise specified)

REINFORCED FOR 300 Lbs. PER Sq. Ft.
 (1464 kg. PER Sq. METER) LIVE LOAD

INSTALLER NOTES:

- A. Use caution. Cover is spring loaded. Do not remove safety shipping bolt until unit is to be installed and in normal horizontal operating position.
- B. Be sure unit is set on slight pitch toward drain corner.
- C. Before anchoring in place open and close door. Check to see that the door in the closed position rests on the frame all around. If not, shim under the frame at the proper corner.
- D. Do not reduce 1 1/2" drain pipe to dry well or disposal system.
- E. Bend down anchors if required

Customer:

P.O. N°

Job:

Sales Rep:

Manufacturers of Doors for Special Services
Bilco THE BILCO COMPANY
 New Haven, Connecticut 06505

SINGLE LEAF ACCESS DOOR
TYPE J-AL - INTERIOR/EXTERIOR
SIZE

QTY	TYPE	WIDTH x LENGTH
<input type="checkbox"/>	J-1AL	2'-0" x 2'-0" [610mm] x [610mm]
<input type="checkbox"/>	J-2AL	2'-6" x 2'-6" [762mm] x [762mm]
<input type="checkbox"/>	J-3AL	3'-0" x 2'-6" [914mm] x [762mm]
<input type="checkbox"/>	J-4AL	3'-0" x 3'-0" [914mm] x [914mm]
<input type="checkbox"/>	J-5AL	3'-6" x 3'-6" [1065mm] x [1065mm]

THIS DRAWING IS THE PROPERTY OF THE BILCO COMPANY AND INCORPORATES INFORMATION WHICH IS PROPRIETARY. PUBLICATION AND/OR PUBLIC DISTRIBUTION IN WHOLE OR IN PART IS EXPRESSLY PROHIBITED WITHOUT THE PRIOR WRITTEN CONSENT OF THE BILCO COMPANY. THE INFORMATION CONTAINED HEREIN REMAINS THE PROPERTY OF THE BILCO COMPANY. ALL RIGHTS RESERVED.