

# *Detent Replacement*

## **DETENT REMOVAL**

**Tools needed for this procedure:**  $\frac{3}{4}$ " box end wrench,  $\frac{3}{4}$ " thin wrench, adjustable wrench, ruler, long shank  $\frac{13}{64}$ " bit drill, flathead screwdriver, metal brace, (2) vice grips, grinder with cutting wheel (if necessary)

- 1) Open the cover of the door.
- 2) Brace door to open position using vice grips and brace as shown below. If the door has a guide arm, this is not necessary. (See Figure 1)



Figure 1

- 3) Remove red vinyl grip from hold open arm by twisting. (Figure 2)

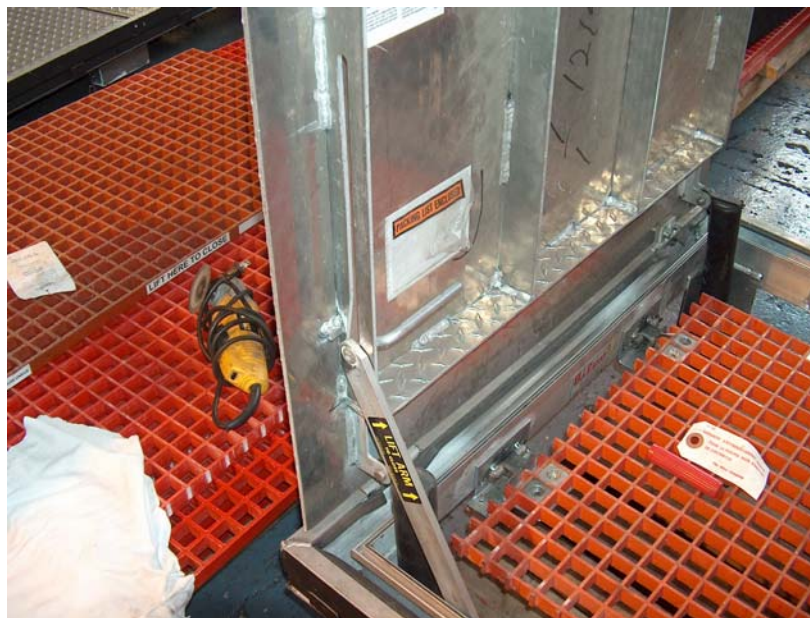


Figure 2

## *Detent Replacement*

- 4) Using a  $\frac{3}{4}$ " box wrench on the outside of the frame and a thin  $\frac{3}{4}$ " wrench in between on the inside, loosen the bolt. (Figure 3)



Figure 3

- 5) Remove the bolt and nut as well as the lift arm itself. (Figure 4)

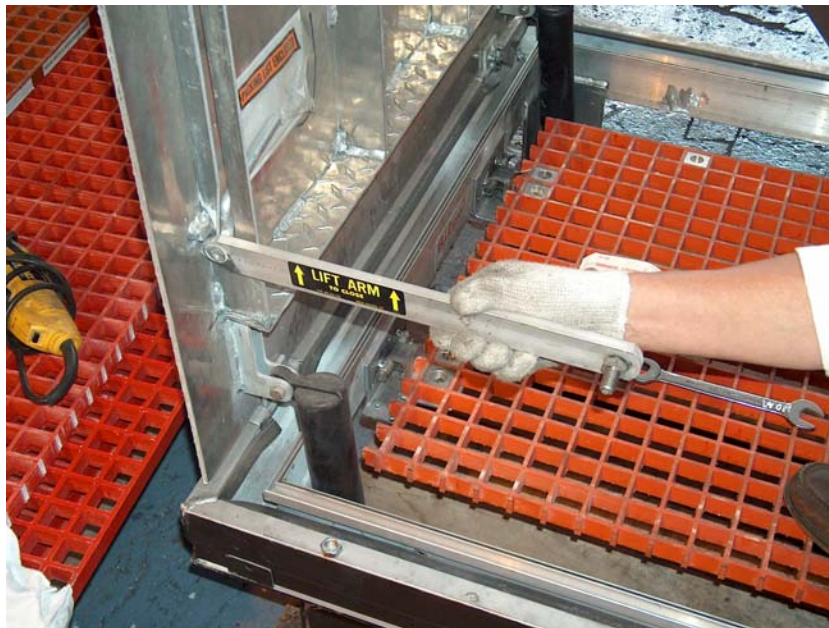


Figure 4



## *Detent Replacement*

- 6) Using a grinder with a cutting wheel, fully remove the detent from cover if necessary.



Figure 5



Figure 6

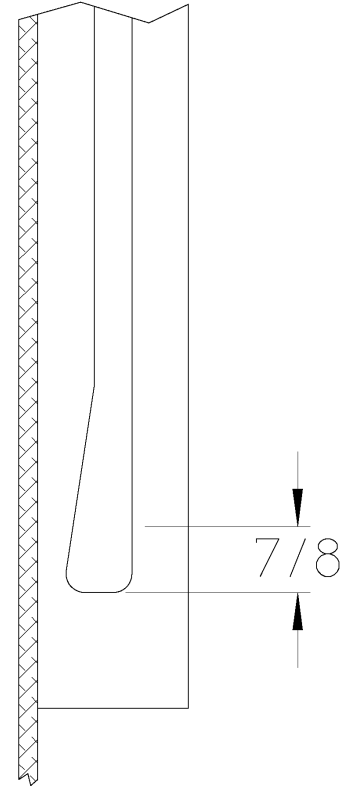
# *Detent Replacement*

## **DETENT FIELD INSTALLATION**

- 7) Measure 7/8" up from the track opening in the stiffener, marking this measurement with a line. (Figure 7)



Figure 7



- 8) Now position the detent as shown in Figure 8, with its base on marked line. Using some sort of writing utensil, mark where the holes are.



Figure 8

## *Detent Replacement*

- 9) Now use a center punch to make holes in the stiffener. Align the 13/64 drill bit with the center marks and drill both holes in the stiffener. (Figure 9)



Figure 9

- 10) With the holes now in place, you can now screw the detent to the cover. (Figure 10)



Figure 10



## Detent Replacement

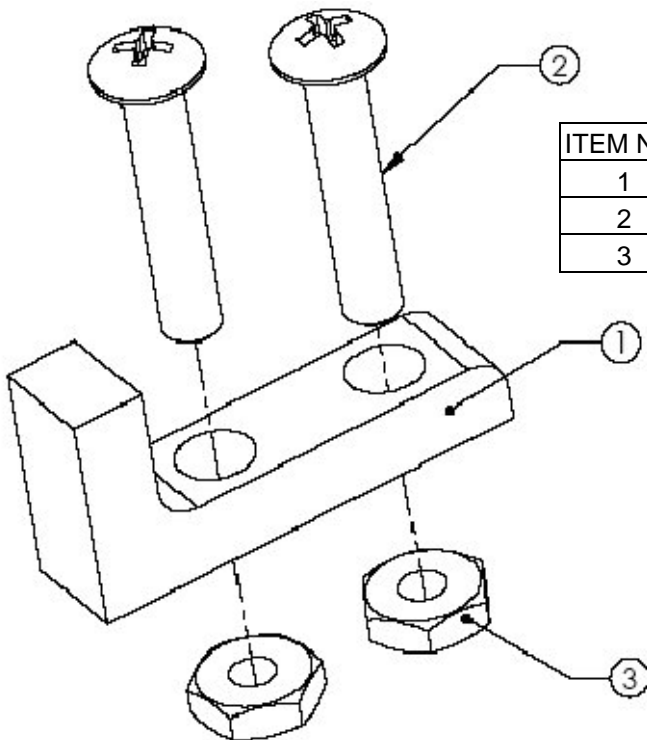
11) Now take the lift arm and place it back into position as shown here in Figure 11.



Figure 11

12) Take the box wrench and thin wrench and position them as they were before, tightening the bolt to the frame.

13) Put the red vinyl grip back on the arm with a twisting motion.



ITEM NO.	DESCRIPTION	QTY.
1	DETENT-FIELD INSTALL ALUM	1
2	SCREW-PAN HEAD #10-24 X 1" S.S.	2
3	NUT-HEX # 10-24 S.S.	2