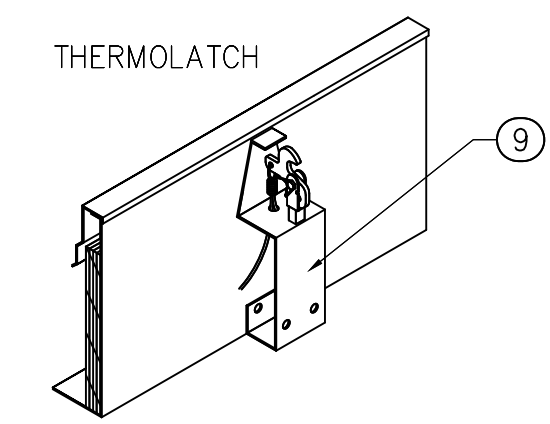
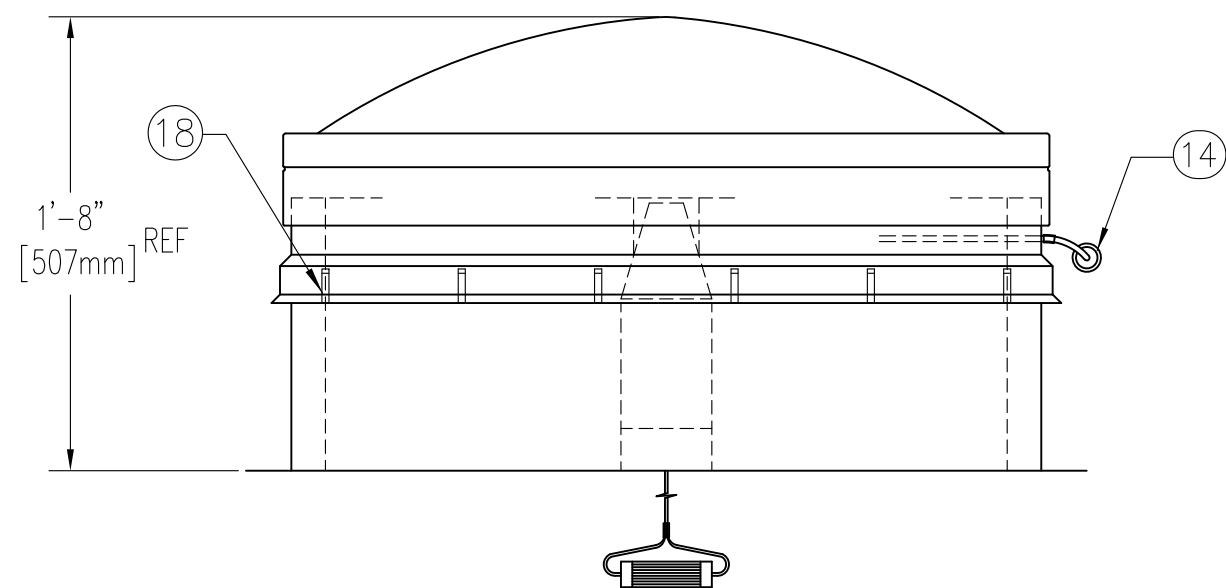
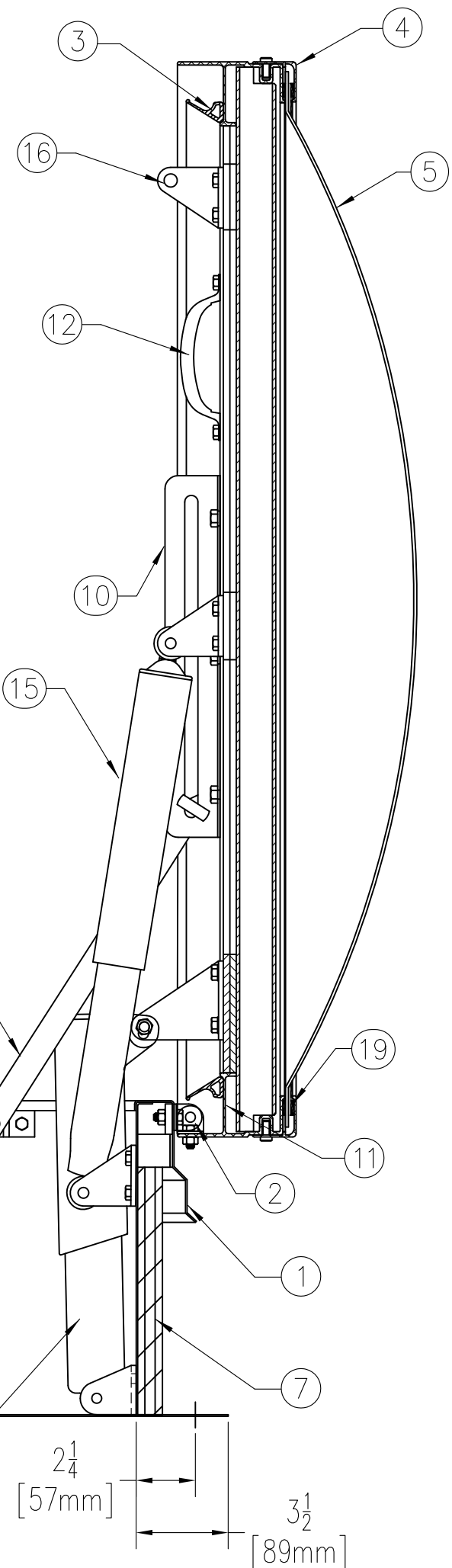
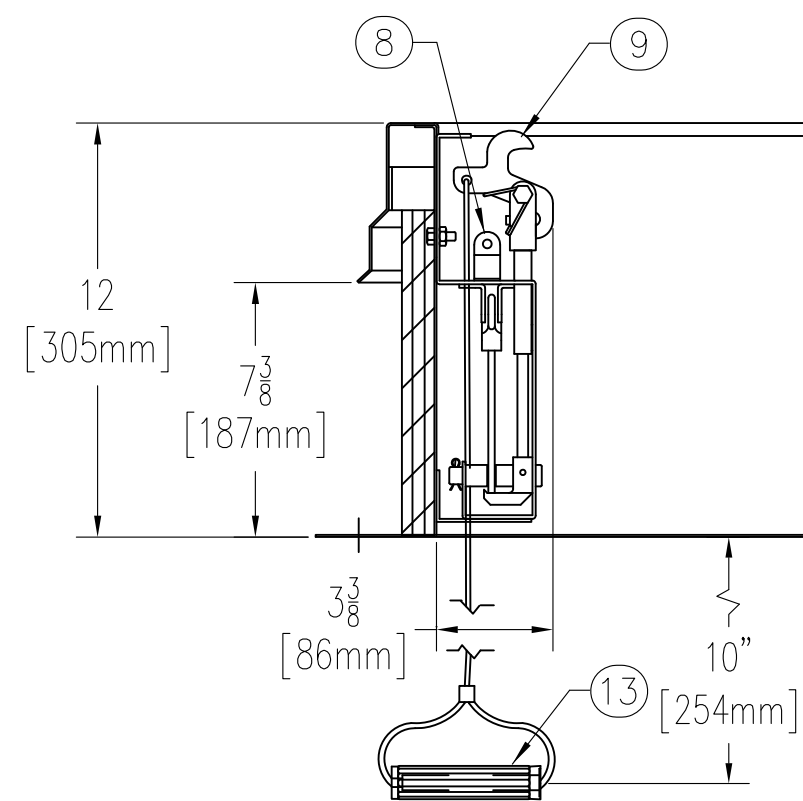


ANCHOR HOLE LAYOUT

NOTE
 1. COVERS SHALL OPEN AGAINST 10 PSF (49 kg/m²) SNOW/WIND LOAD
 2. VENT ASSEMBLY RATED FOR 40 PSF (195 kg/m²) LIVE LOAD
 3. COVERS WILL REMAIN CLOSED UNDER 90 PSF (438 kg/m²) WIND UPLIFT FORCE



1. THERMOLATCH MECHANISM - COVERS WILL OPERATE ONLY WHEN ACTIVATED
 A. MANUALLY
 B. BY HEAT AT 165°FUSIBLE LINK



- SPECIFICATIONS**
- FRAME W/ CAPFLASHING (CORNERS FULL WELDED) GS-50SV - 11 GAUGE ALUMINUM
 - PINTLE HINGE
 - GASKET (ALL AROUND COVER)
 - EXTRUDED ALUMINUM COVER FRAME
 - POLYCARBONATE DOME (CLEAR)
 - LIFTING MECHANISM WITH REINFORCED COMPOSITE TUBES AND COMPRESSION SPRINGS
 - 1" RIGID FIBERBOARD INSULATION
 - 165° FUSIBLE LINK (EXTRA LINK PROVIDED)
 - THERMOLATCH® POSITIVE HOLD/RELEASE MECHANISM
 - ARM GUIDE BRACKET
 - CONDENSATE CHANNEL WITH DRAINAGE TO EXTERIOR
 - GRAB HANDLE
 - PULL GRIP TO OPEN FROM INSIDE 1/8" DIA STEEL CABLE
 - PULL GRIP TO OPEN FROM OUTSIDE 1/8" DIA STEEL CABLE
 - SHOCK ABSORBER
 - COVER LATCH BRACKET
 - GUIDE ARM (2 REQ'D)
 - BILCLIP® FLASHING SYSTEM
 - BUTYL SEALANT
- SHOP FINISH:
 ALUMINUM: MILL FINISH
 HARDWARE: ZINC PLATED & CHROMATE SEALED (UNLESS OTHERWISE SPECIFIED)

THIS PRODUCT MAY BE INSTALLED ON EITHER A FLAT OR SLOPING ROOF. WHEN INSTALLED ON A SLOPE, THE HINGE SIDE MUST RUN PARALLEL WITH THE SLOPE. IF SLOPE EXCEEDS 30°, ADVISE FACTORY FOR MODIFICATION.

CUSTOMER: _____

P.O. N° _____

JOB: _____

SALES REP: _____

Manufacturers of Doors for Special Services
Bilco® THE BILCO COMPANY
 New Haven, Connecticut 06505

SINGLE LEAF DOMED FIRE VENT
TYPE GS-50SV SIZE 3'-0" x 2'-6"
 WIDTH x LENGTH

QTY	TYPE	METAL
□	GS-50SV	ALUM. COVER/ALUM. FRAME

THIS DRAWING IS THE PROPERTY OF THE BILCO COMPANY AND INCORPORATES INFORMATION WHICH IS PROPRIETARY. PUBLICATION AND/OR PUBLIC DISTRIBUTION IN WHOLE OR IN PART IS EXPRESSLY PROHIBITED WITHOUT THE PRIOR WRITTEN CONSENT OF THE BILCO COMPANY. THE INFORMATION CONTAINED HEREIN REMAINS THE PROPERTY OF THE BILCO COMPANY. ALL RIGHTS RESERVED.