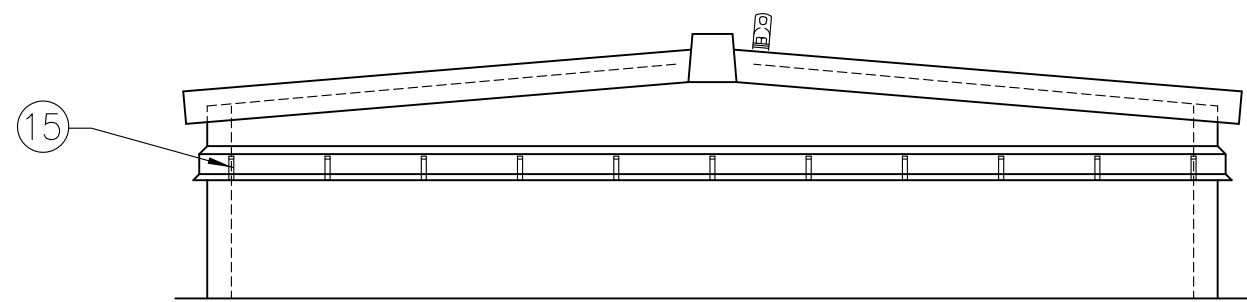


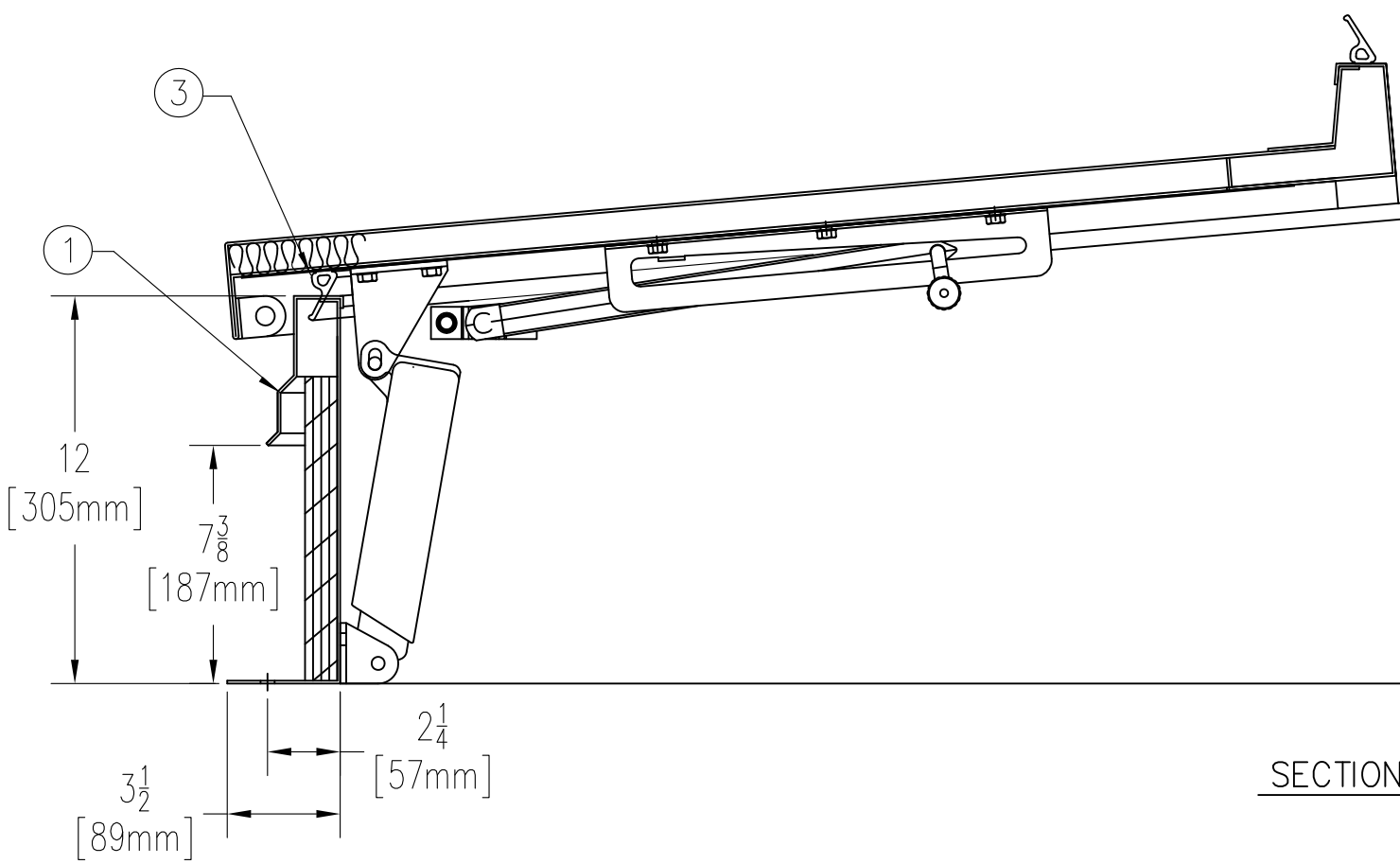
QUANTITY OF SPRINGS AND HINGES VARIES WITH SIZE

14

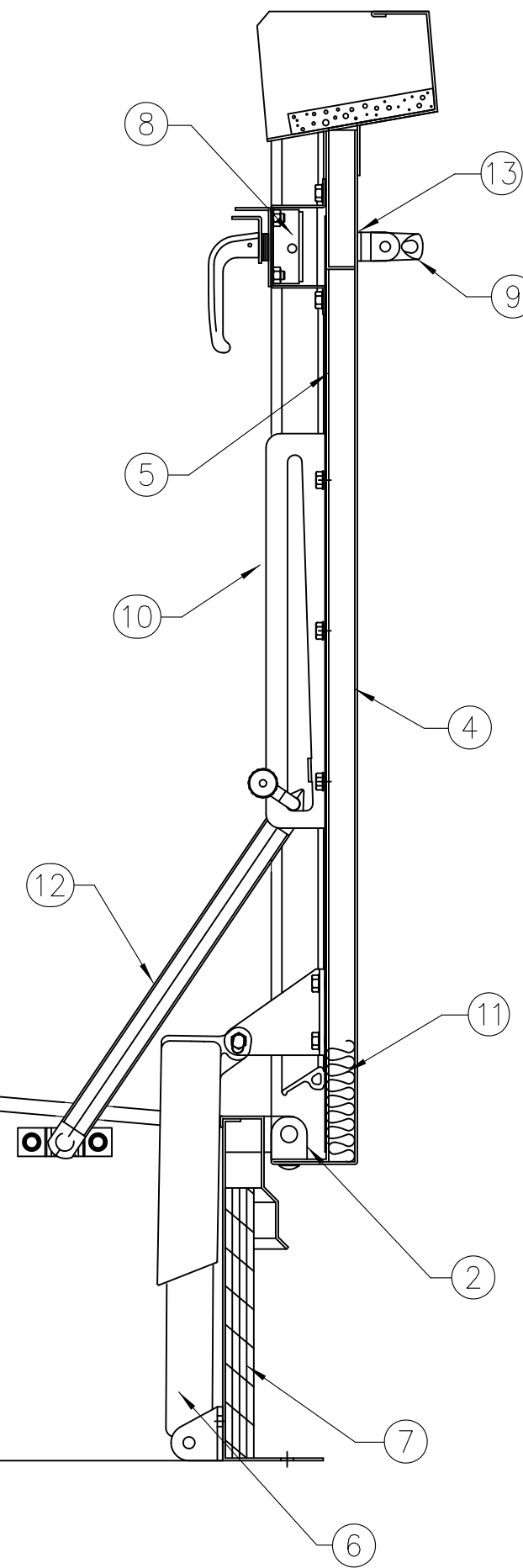
19  
[483]



15



SECTION



SPECIFICATIONS

1. FRAME W/ CAPFLASHING (CORNERS FULL WELDED)
  - D-20 - 14 GAUGE P.B. GALV. STEEL
  - D-40 - 14 GAUGE P.B. GALV. STEEL
  - D-50 - 11 GAUGE ALUMINUM
2. PINTLE HINGE
3. GASKET (ALL AROUND COVER)
4. COVER GAUGE
  - D-20 - 14 GAUGE P.B. GALV. STEEL
  - D-40 - 11 GAUGE ALUMINUM
  - D-50 - 11 GAUGE ALUMINUM
5. COVER LINER
  - D-20 - 22 GAUGE P.B. GALV. STEEL
  - D-40 - 18 GAUGE ALUMINUM
  - D-50 - 18 GAUGE ALUMINUM
6. LIFTING MECHANISM WITH REINFORCED COMPOSITE TUBES AND COMPRESSION SPRINGS
7. 1" RIGID FIBERBOARD INSULATION
8. SLAM LATCH (2 POINT)
9. INSIDE AND OUTSIDE HANDLES W/ PADLOCK HASPS
10. ARM GUIDE BRACKET
11. 1" THICK FIBERGLASS COVER INSULATION
12. HOLD OPEN ARM W/ RED VINYL GRIP
13. NEOPRENE GASKET
14. GUIDE ARM
15. BILCLIP® FLASHING SYSTEM

SHOP FINISH:  
 STEEL: RED OXIDE PRIMER  
 ALUMINUM: MILL FINISH  
 HARDWARE: ZINC PLATED & CHROMATE SEALED  
 (UNLESS OTHERWISE SPECIFIED)

THIS PRODUCT MAY BE INSTALLED ON EITHER A FLAT OR SLOPING ROOF. WHEN INSTALLED ON A SLOPE, THE HINGE SIDE MUST RUN PARALLEL WITH THE SLOPE. IF SLOPE EXCEEDS 30°, ADVISE FACTORY FOR MODIFICATION.

CUSTOMER:

P.O. N°

JOB:

SALES REP:

Manufacturers of Doors for Special Services  
**Bilco**® THE BILCO COMPANY  
 New Haven, Connecticut 06505

**DOUBLE LEAF ROOF SCUTTLE**  
**TYPE D SIZE** \_\_\_\_\_ x \_\_\_\_\_

| QTY                      | TYPE | METAL                   |
|--------------------------|------|-------------------------|
| <input type="checkbox"/> | D-20 | STEEL COVER/STEEL FRAME |
| <input type="checkbox"/> | D-40 | ALUM. COVER/STEEL FRAME |
| <input type="checkbox"/> | D-50 | ALUM. COVER/ALUM. FRAME |

FOR SIZE LIMITATIONS ON THIS UNIT, CONSULT FACTORY

THIS DRAWING IS THE PROPERTY OF THE BILCO COMPANY AND INCORPORATES INFORMATION WHICH IS PROPRIETARY. PUBLICATION AND/OR PUBLIC DISTRIBUTION IN WHOLE OR IN PART IS EXPRESSLY PROHIBITED WITHOUT THE PRIOR WRITTEN CONSENT OF THE BILCO COMPANY. THE INFORMATION CONTAINED HEREIN REMAINS THE PROPERTY OF THE BILCO COMPANY. ALL RIGHTS RESERVED.