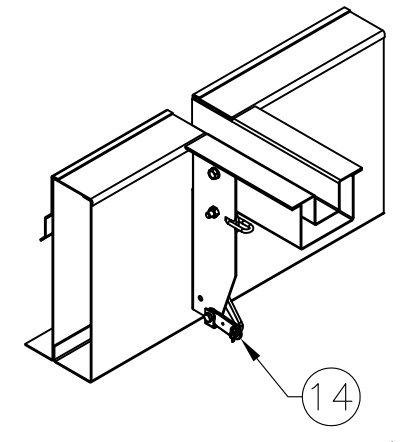


MODEL #	SIZE (WIDTH x LENGTH)	
	FEET	mm
ACDSH4848	4'-0" x 4'-0"	1220 x 1220
ACDSH4860	4'-0" x 5'-0"	1220 x 1525
ACDSH4872	4'-0" x 6'-0"	1220 x 1830
ACDSH4890	4'-0" x 7'-6"	1220 x 2285
ACDSH4896	4'-0" x 8'-0"	1220 x 2440
ACDSH6060	5'-0" x 5'-0"	1525 x 1525
ACDSH6096	5'-0" x 8'-0"	1525 x 2440
ACDSH60120	5'-0" x 10'-0"	1525 x 3050
ACDSH66144	5'-6" x 12'-0"	1675 x 3660
ACDSH7272	6'-0" x 6'-0"	1830 x 1830

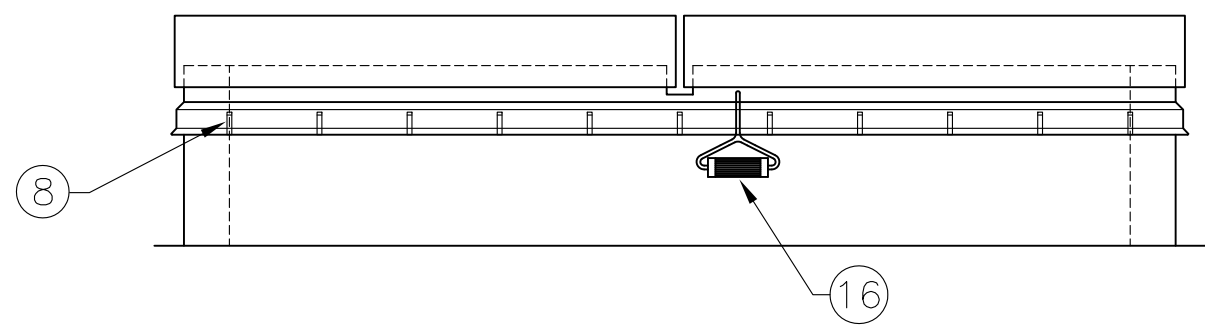
ACDSH60120 & ACDSH66144 HAVE (4) COVERS

THERMOLATCH® II  
CURB - MOUNTED RESET

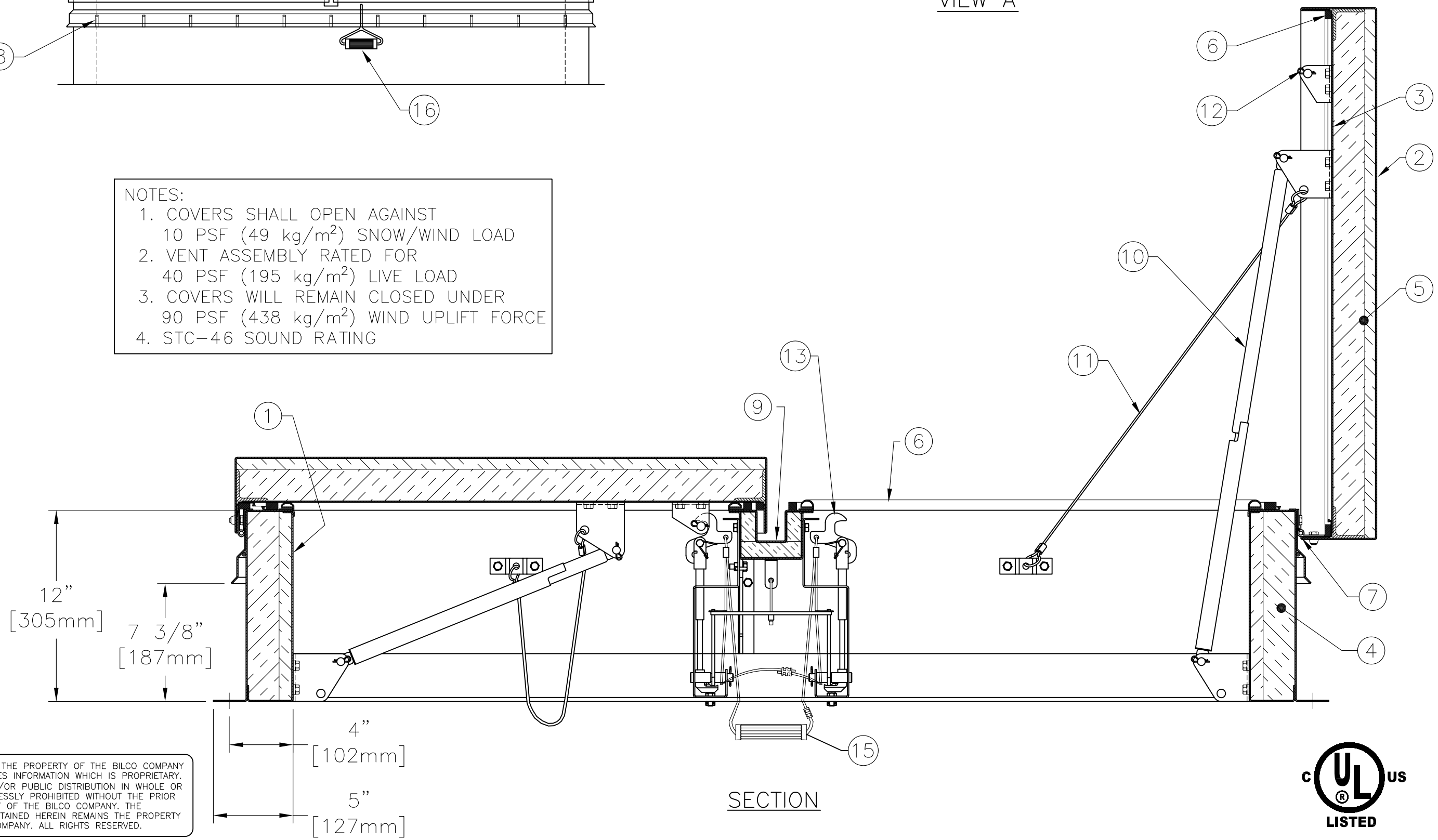


- THERMOLATCH MECHANISM - COVERS WILL OPERATE ONLY WHEN ACTIVATED
  - MANUALLY
  - BY HEAT AT 165° FUSIBLE LINK
- MANUFACTURER TO PROVIDE LABEL WITH INSTRUCTIONS TO RESET LATCH ON INTERIOR OF FRAME

VIEW A



- NOTES:
- COVERS SHALL OPEN AGAINST 10 PSF (49 kg/m<sup>2</sup>) SNOW/WIND LOAD
  - VENT ASSEMBLY RATED FOR 40 PSF (195 kg/m<sup>2</sup>) LIVE LOAD
  - COVERS WILL REMAIN CLOSED UNDER 90 PSF (438 kg/m<sup>2</sup>) WIND UPLIFT FORCE
  - STC-46 SOUND RATING



SECTION



SPECIFICATIONS

- CURB, FULLY ENCLOSED WITH INTEGRAL CAPFLASHING (CORNERS FULLY WELDED) -14 GA. P.B. GALV. STEEL
- COVER - 14 GA. P.B. GALV. STEEL
- COVER LINER - 14 GA. P.B. GALV. STEEL
- 3" CURB INSULATION
- 3" COVER INSULATION
- GASKET (ALL AROUND)
- PIANO HINGE
- BILCLIP® FLASHING SYSTEM
- FIXED CENTER DRAIN
- GAS SPRINGS WITH DAMPER & HOLD OPEN FEATURE
- COVER RESTRAINT CABLE
- COVER LATCH BRACKET
- THERMOLATCH® II POSITIVE HOLD/RELEASE MECHANISM
- 165° FUSIBLE LINK (EXTRA LINK PROVIDED)
- INTERIOR PULL RELEASE CABLE
- EXTERIOR PULL RELEASE CABLE

SHOP FINISH

STEEL: RED OXIDE PRIMER  
HARDWARE: CORROSION RESISTANT (UNLESS OTHERWISE SPECIFIED)

NOTES:

- THIS PRODUCT MAY BE INSTALLED ON EITHER A FLAT OR SLOPING ROOF. WHEN INSTALLED ON A SLOPE, THE HINGE SIDE MUST RUN PARALLEL WITH THE SLOPE. IF SLOPE EXCEEDS 30°, ADVISE FACTORY FOR MODIFICATION.
- FULL SPECIFICATIONS ARE AVAILABLE ON WEBSITE: [www.bilco.com](http://www.bilco.com)

CUSTOMER \_\_\_\_\_

P.O. NO. \_\_\_\_\_

JOB \_\_\_\_\_

SALES REP. \_\_\_\_\_

**Bilco**® Manufacturers of Doors for Special Services  
THE BILCO COMPANY  
New Haven, Connecticut 06505

**DOUBLE LEAF SMOKE VENT  
TYPE ACDSH**

QTY	MODEL	SIZE WIDTH x LENGTH
<input type="text"/>	<input type="text"/>	<input type="text"/> x <input type="text"/>
		HINGE SIDE

THIS DRAWING IS THE PROPERTY OF THE BILCO COMPANY AND INCORPORATES INFORMATION WHICH IS PROPRIETARY. PUBLICATION AND/OR PUBLIC DISTRIBUTION IN WHOLE OR IN PART IS EXPRESSLY PROHIBITED WITHOUT THE PRIOR WRITTEN CONSENT OF THE BILCO COMPANY. THE INFORMATION CONTAINED HEREIN REMAINS THE PROPERTY OF THE BILCO COMPANY. ALL RIGHTS RESERVED.