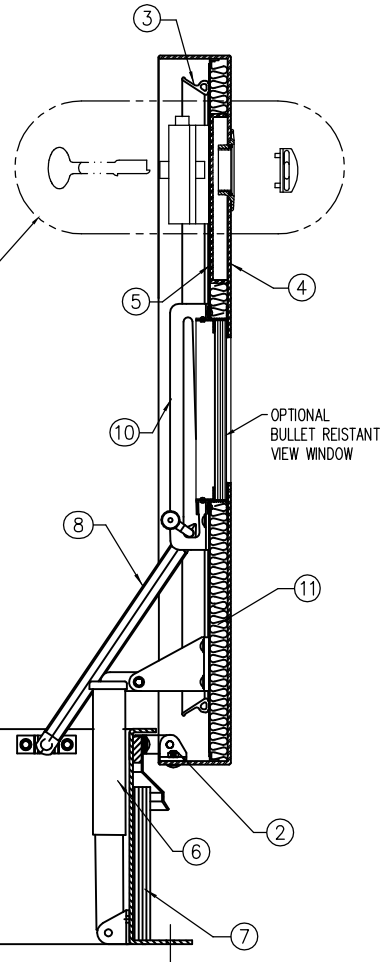


PREPARED TO RECEIVE SECURITY LOCK (CONSULT FACTORY FOR AVAILABLE LOCK CONFIGURATIONS)



NOTE: SECURITY FASTNERS THROUGHOUT

SECTION

SPECIFICATIONS

1. FRAME W/ CAPFLASHING (CORNERS FULL WELDED)
SS-20C - 3/16" STEEL
SS-50C - 3/16" ALUMINUM
2. HEAVY DUTY MANGANESE BRONZE HINGES
3. GASKET (ALL AROUND COVER)
4. COVER GAUGE
SS-20C - 3/16" STEEL
SS-50C - 3/16" ALUMINUM
5. COVER LINER
SS-20C - 22 GAUGE GALVANNEAL STEEL
SS-50C - 18 GAUGE ALUMINUM
6. SPRING LIFTING MECHANISM
7. 1" RIGID FIBERBOARD INSULATION
8. HOLD OPEN ARM W/ RED VINYL GRIP
9. GUIDE ARM (IF REQ'D)
10. ARM GUIDE BRACKET
11. 1" THICK FIBERGLASS COVER INSULATION
12. LOCK STRIKE
13. BILCLIP® FLASHING SYSTEM
14. GRAB HANDLE

SHOP FINISH:

- STEEL: RED OXIDE PRIMER
- ALUMINUM: MILL FINISH
- HARDWARE: ZINC PLATED/CHROMATE SEALED (UNLESS OTHERWISE SPECIFIED)

THIS PRODUCT MAY BE INSTALLED ON EITHER A FLAT OR SLOPING ROOF. WHEN INSTALLED ON A SLOPE, THE HINGE SIDE MUST RUN PARALLEL WITH THE SLOPE. IF SLOPE EXCEEDS 30°, ADVISE FACTORY FOR MODIFICATION.

CUSTOMER:

P.O. NO:

JOB:

TAG:

SALES REP:

APPROVED BY:

DATE:

Manufacturers of Doors for Special Services
Bilco® THE BILCO COMPANY
New Haven, Connecticut 06505

**SECURITY SERIES ROOF SCUTTLE
TYPE SS-C SIZE**

QTY	TYPE	METAL	WIDTH	x	LENGTH
					HINGE SIDE
<input type="checkbox"/>	SS-20C	STEEL COVER/STEEL FRAME			
<input type="checkbox"/>	SS-50C	ALUM. COVER/ALUM. FRAME			

FOR SIZE LIMITATIONS ON THIS UNIT, CONSULT FACTORY

THIS DRAWING IS THE PROPERTY OF THE BILCO COMPANY AND INCORPORATES INFORMATION WHICH IS PROPRIETARY. PUBLICATION AND/OR PUBLIC DISTRIBUTION IN WHOLE OR IN PART IS EXPRESSLY PROHIBITED WITHOUT THE PRIOR WRITTEN CONSENT OF THE BILCO COMPANY. THE INFORMATION CONTAINED HEREIN REMAINS THE PROPERTY OF THE BILCO COMPANY. ALL RIGHTS RESERVED.