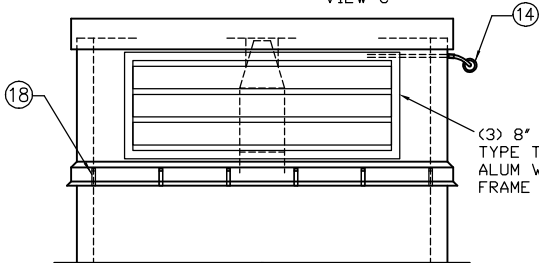
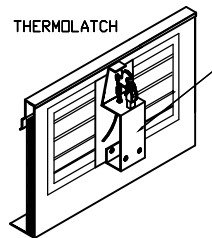


ANCHOR HOLE LAYOUT
& SAFETY GRID

NOTE
 1. COVERS SHALL OPEN AGAINST 10 PSF (49 kg/m²) SNOW/WIND LOAD
 2. VENT ASSEMBLY RATED FOR 40 PSF (195 kg/m²) LIVE LOAD
 3. COVERS WILL REMAIN CLOSED UNDER 90 PSF (438 kg/m²) WIND UPLIFT FORCE
 4. COMPLIES WITH IBC 3004.3



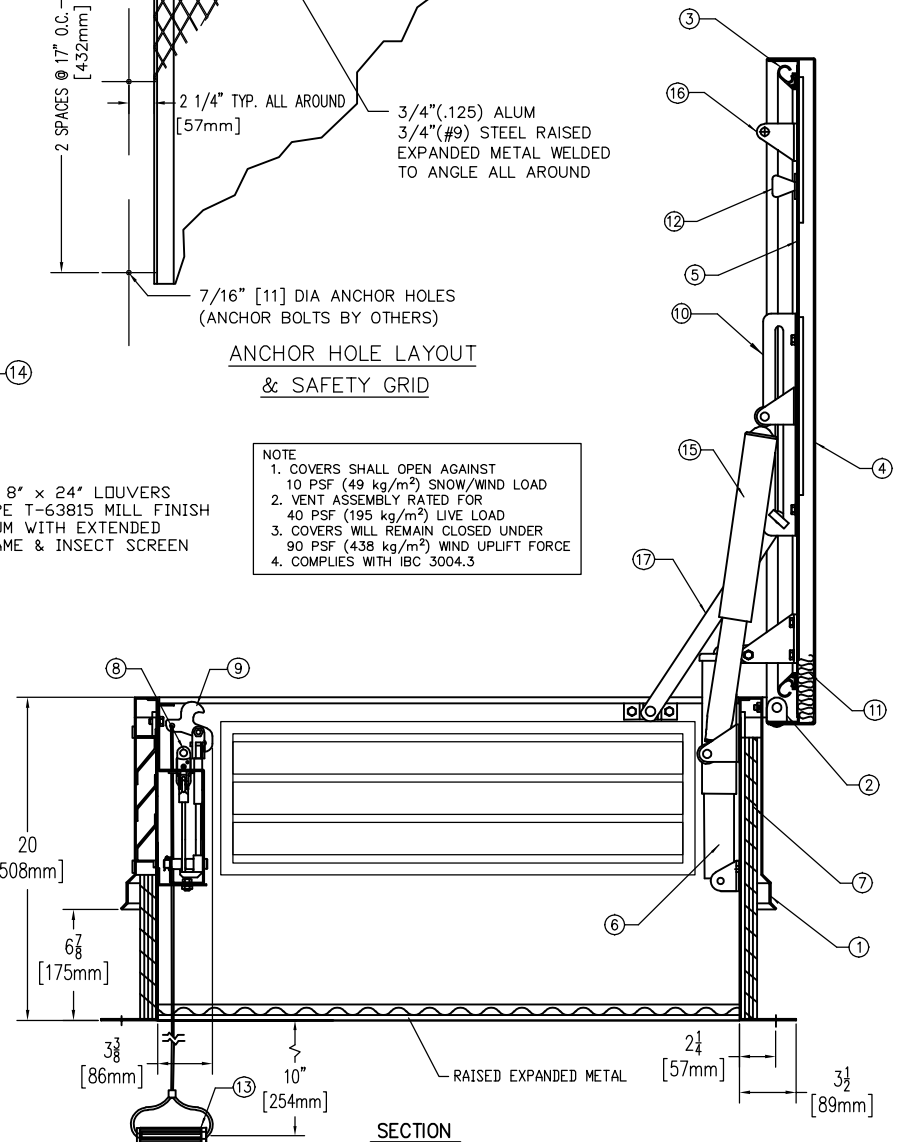
(3) 8' x 24' LOUVERS
 TYPE T-63815 MILL FINISH ALUM WITH EXTENDED FRAME & INSECT SCREEN



- OPTIONS
- OMIT EXPANDED METAL
 - 115 VAC ELECTRIC THERMOLATCH
 - 24 VAC ELECTRIC THERMOLATCH
 - 24 VDC ELECTRIC THERMOLATCH

1. THERMOLATCH MECHANISM - COVERS WILL OPERATE ONLY WHEN ACTIVATED
 A. MANUALLY
 B. BY HEAT AT 165°F FUSIBLE LINK

VIEW C



SECTION

- SPECIFICATIONS**
- FRAME W/ CAPFLASHING (CORNERS FULL WELDED)
 - S-20SVEV - 14 GAUGE GALVANNEAL STEEL
 - S-40SVEV - 14 GAUGE GALVANNEAL STEEL
 - S-50SVEV - 11 GAUGE ALUMINUM
 - PINTLE HINGE
 - GASKET (ALL AROUND COVER)
 - COVER GAUGE
 - S-20SVEV - 14 GAUGE GALVANNEAL STEEL
 - S-40SVEV - 11 GAUGE ALUMINUM
 - S-50SVEV - 11 GAUGE ALUMINUM
 - COVER LINER
 - S-20SVEV - 22 GAUGE GALVANNEAL STEEL
 - S-40SVEV - 18 GAUGE ALUMINUM
 - S-50SVEV - 18 GAUGE ALUMINUM
 - SPRING LIFTING MECHANISM
 - 1" RIGID FIBERBOARD INSULATION
 - 165° FUSIBLE LINK (EXTRA LINK PROVIDED)
 - THERMOLATCH® POSITIVE HOLD/RELEASE MECHANISM
 - ARM GUIDE BRACKET
 - 1" THICK FIBERGLASS COVER INSULATION
 - GRAB HANDLE
 - PULL GRIP TO OPEN FROM INSIDE 1/8" DIA STEEL CABLE
 - PULL GRIP TO OPEN FROM OUTSIDE 1/8" DIA STEEL CABLE
 - SHOCK ABSORBER
 - COVER LATCH BRACKET
 - GUIDE ARM (2 REQ'D)
 - BILCLIP® FLASHING SYSTEM
- SHOP FINISH:
 STEEL: RED OXIDE PRIMER
 ALUMINUM: MILL FINISH
 HARDWARE: ZINC PLATED/CHROMATE SEALED
 (UNLESS OTHERWISE SPECIFIED)

THIS PRODUCT MAY BE INSTALLED ON EITHER A FLAT OR SLOPING ROOF. WHEN INSTALLED ON A SLOPE, THE HINGE SIDE MUST RUN PARALLEL WITH THE SLOPE. IF SLOPE EXCEEDS 30°, ADVISE FACTORY FOR MODIFICATION.

CUSTOMER: _____

P.O. NO: _____

JOB: _____

TAG: _____

SALES REP: _____

APPROVED BY: _____

DATE: _____

Manufacturers of Doors for Special Services
Bilco® THE BILCO COMPANY
 New Haven, Connecticut 06505

SINGLE LEAF FIRE VENT
TYPE S-SVEV SIZE 3'-0" x 2'-6"
 WIDTH x LENGTH

QTY	TYPE	METAL
<input type="checkbox"/>	S-20SVEV	STEEL COVER/STEEL FRAME
<input type="checkbox"/>	S-40SVEV	ALUM. COVER/STEEL FRAME
<input type="checkbox"/>	S-50SVEV	ALUM. COVER/ALUM. FRAME

THIS DRAWING IS THE PROPERTY OF THE BILCO COMPANY AND INCORPORATES INFORMATION WHICH IS PROPRIETARY. PUBLICATION AND/OR PUBLIC DISTRIBUTION IN WHOLE OR IN PART IS EXPRESSLY PROHIBITED WITHOUT THE PRIOR WRITTEN CONSENT OF THE BILCO COMPANY. THE INFORMATION CONTAINED HEREIN REMAINS THE PROPERTY OF THE BILCO COMPANY. ALL RIGHTS RESERVED.

