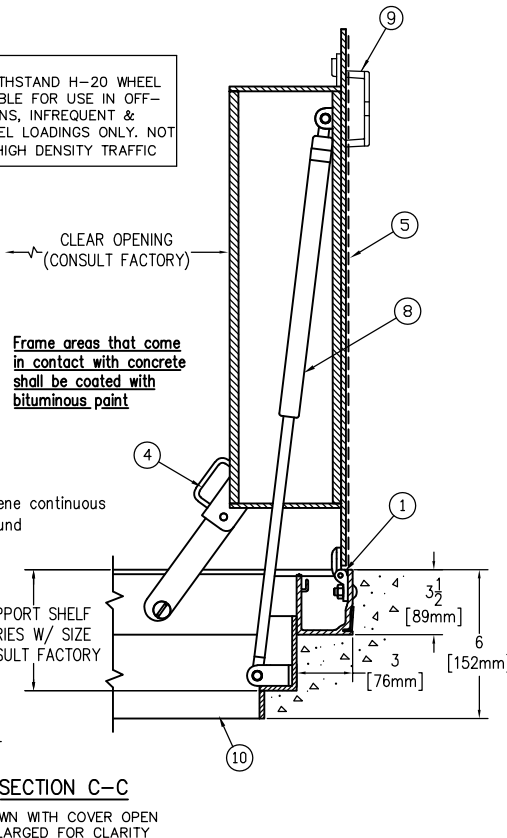


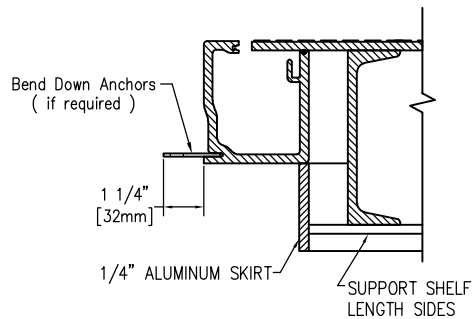
CHANNEL SUPPORT SHELF MUST BE SUPPORTED BY CONCRETE OR STEEL TO CARRY H-20 LOADING

SECTION A-A
STANDARD SLAM LOCK

NOTE:
1. DESIGNED TO WITHSTAND H-20 WHEEL LOADINGS SUITABLE FOR USE IN OFF-STREET LOCATIONS, INFREQUENT & INCIDENTAL WHEEL LOADINGS ONLY. NOT SUBJECTED TO HIGH DENSITY TRAFFIC



Frame areas that come in contact with concrete shall be coated with bituminous paint



SECTION B-B

THIS DRAWING IS THE PROPERTY OF THE BILCO COMPANY AND INCORPORATES INFORMATION WHICH IS PROPRIETARY. PUBLICATION AND/OR PUBLIC DISTRIBUTION IN WHOLE OR IN PART IS EXPRESSLY PROHIBITED WITHOUT THE PRIOR WRITTEN CONSENT OF THE BILCO COMPANY. THE INFORMATION CONTAINED HEREIN REMAINS THE PROPERTY OF THE BILCO COMPANY. ALL RIGHTS RESERVED.

SPECIFICATIONS

1. BILCO HEAVY DUTY FORGED STAINLESS STEEL HINGES WITH STAINLESS STEEL PINS
2. 1-1/2" DRAIN COUPLING
3. STANDARD SLAM LOCK
4. BILCO AUTOMATIC HOLD OPEN ARM
5. 1/4" ALUMINUM DIAMOND PATTERN PLATE COVER
6. BILCO 1/4" ALUMINUM CHANNEL FRAME WITH RECESSED ANCHORS
7. STAINLESS STEEL LOCK STRIKE
8. STAINLESS STEEL GAS SPRING LIFTING MECHANISM
9. FLUSH LIFT HANDLE
10. 1/4" ALUMINUM SKIRT

SHOP FINISH:

ALUMINUM: MILL FINISH

HARDWARE: TYPE 316 STAINLESS STEEL
(UNLESS OTHERWISE SPECIFIED)

REINFORCED FOR H20 LOADING

INSTALLER NOTES:

- A. USE CAUTION. COVER IS SPRING LOADED. DO NOT REMOVE SAFETY SHIPPING BOLT UNTIL UNIT IS TO BE INSTALLED AND IN NORMAL HORIZONTAL OPERATING POSITION.
- B. BE SURE UNIT IS SET ON SLIGHT PITCH TOWARD DRAIN CORNER.
- C. BEFORE ANCHORING IN PLACE OPEN AND CLOSE DOOR. CHECK TO SEE THAT THE DOOR IN THE CLOSED POSITION RESTS ON THE FRAME ALL AROUND. IF NOT, SHIM UNDER THE FRAME AT THE PROPER CORNER.
- D. DO NOT REDUCE 1 1/2" DRAIN PIPE TO DRY WELL OR DISPOSAL SYSTEM.
- E. BEND DOWN ANCHORS IF REQUIRED

CUSTOMER:

P.O. NO.:

JOB:

TAG:

SALES REP.:

APPROVED BY:

DATE:

Manufacturers of Doors for Special Services
Bilco THE BILCO COMPANY
New Haven, Connecticut 06505

**SINGLE LEAF ACCESS DOOR
TYPE PV H20 - INTERIOR/EXTERIOR
SIZE**

QTY	TYPE	WIDTH x LENGTH
<input type="checkbox"/>	PV2424H20	2'-0" x 2'-0" [610mm] x [610mm]
<input type="checkbox"/>	PV3030H20	2'-6" x 2'-6" [762mm] x [762mm]
<input type="checkbox"/>	PV3630H20	3'-0" x 2'-6" [914mm] x [762mm]
<input type="checkbox"/>	PV3636H20	3'-0" x 3'-0" [914mm] x [914mm]
<input type="checkbox"/>	PV4242H20	3'-6" x 3'-6" [1065mm] x [1065mm]