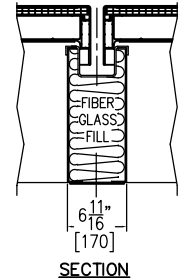


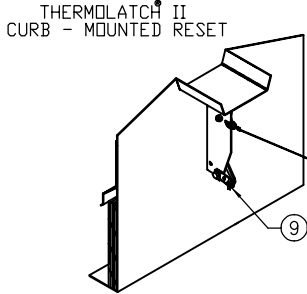
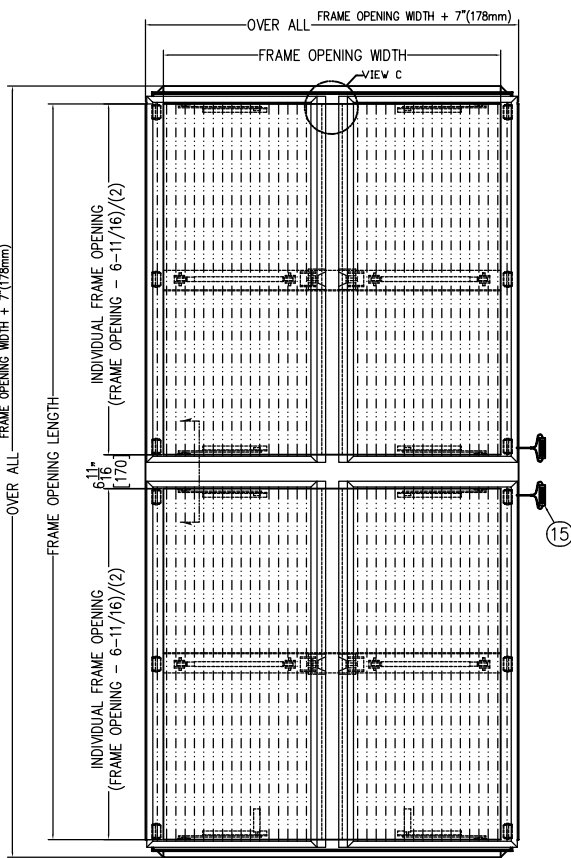
THIS DRAWING IS THE PROPERTY OF THE BILCO COMPANY AND INCORPORATES INFORMATION WHICH IS PROPRIETARY, PUBLICATION AND/OR PUBLIC DISTRIBUTION IN WHOLE OR IN PART IS EXPRESSLY PROHIBITED WITHOUT THE WRITTEN CONSENT OF THE BILCO COMPANY. THE INFORMATION CONTAINED HEREIN REMAINS THE PROPERTY OF THE BILCO COMPANY. ALL RIGHTS RESERVED.

SPECIFICATIONS

1. FRAME 11 GAUGE ALUMINUM W/ CAPFLASHING (CORNERS FULLY WELDED)
2. EXTRUDED ALUMINUM COVER FRAME
3. TRANSLUCENT STRUCTURED POLYCARBONATE GLAZING
4. CONTINUOUS EPDM GASKET
5. PINTLE HINGE
6. GAS SPRINGS WITH INTEGRAL DAMPER (CORROSION RESISTANT)
7. 1" RIGID FIBERBOARD INSULATION
8. FIXED CENTER DRAIN
9. 165' FUSIBLE LINK (EXTRA LINK PROVIDED)
10. THERMOLATCH® II POSITIVE HOLD/RELEASE MECHANISM
11. ARM GUIDE BRACKET
12. GUIDE ARM
13. HOLD OPEN ARM WITH RED VINYL GRIP
14. PULL GRIP TO OPEN FROM INSIDE 1/8" DIA. STEEL CABLE
15. PULL GRIP TO OPEN FROM OUTSIDE 1/8" DIA. STEEL CABLE
16. COVER LATCH BRACKET
17. BILCLIP® FLASHING SYSTEM

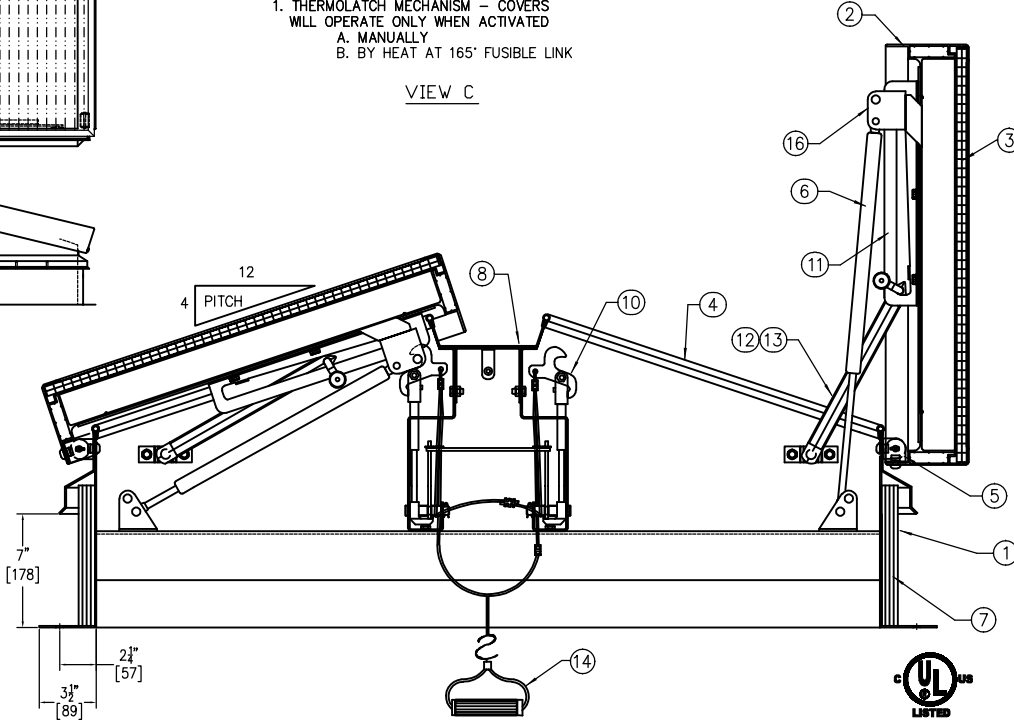
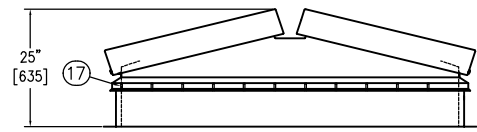


- NOTE**
1. COVERS SHALL OPEN AGAINST 10 PSF (49 KG/M²) SNOW/WIND LOAD
 2. VENT ASSEMBLY RATED FOR 40 PSF (195 KG/M²) LIVE LOAD
 3. COVERS WILL REMAIN CLOSED UNDER 90 PSF (438 KG/M²) WIND UPLIFT FORCE



1. THERMOLATCH MECHANISM - COVERS WILL OPERATE ONLY WHEN ACTIVATED
- A. MANUALLY
 - B. BY HEAT AT 165' FUSIBLE LINK

VIEW C



SHOP FINISH
 STEEL: MILL FINISH
 HARDWARE: ZINC PLATED & CHROMATE SEALED (UNLESS OTHERWISE SPECIFIED)

- NOTES:**
1. THIS PRODUCT MAY BE INSTALLED ON EITHER A FLAT OR SLOPING ROOF. WHEN INSTALLED ON A SLOPE, THE HINGE SIDE MUST RUN PARALLEL WITH THE SLOPE. IF SLOPE EXCEEDS 30°, ADVISE FACTORY FOR MODIFICATION.
 2. FULL SPECIFICATIONS ARE AVAILABLE ON WEBSITE: WWW.BILCO.COM

CUSTOMER: _____

P.O. NO.: _____

JOB: _____

TAG: _____

SALES REP.: _____

APPROVED BY: _____

DATE: _____

Manufacturers of Doors for Special Services
Bilco® THE BILCO COMPANY
 New Haven, Connecticut 06505

AUTOMATIC DOUBLE LEAF FIRE VENT TYPE LV QUAD UNIT

QTY	MODEL	SIZE
		WIDTH x LENGTH
<input type="text"/>	<input type="text"/>	<input type="text"/> x <input type="text"/>
		HINGE SIDE