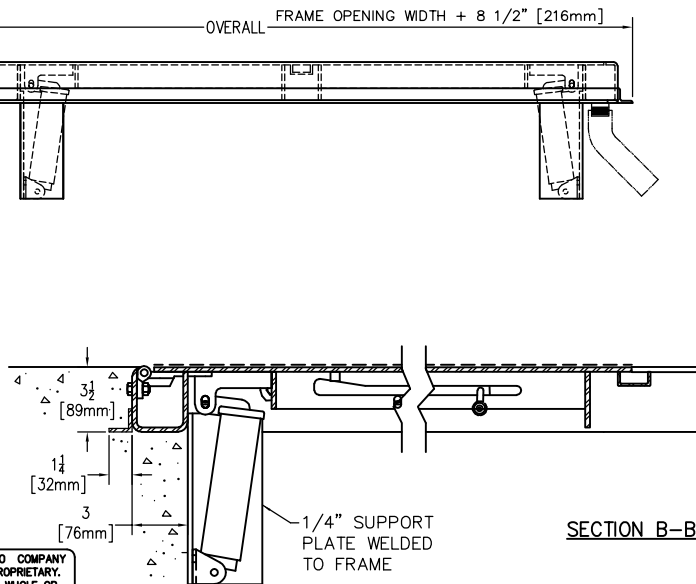
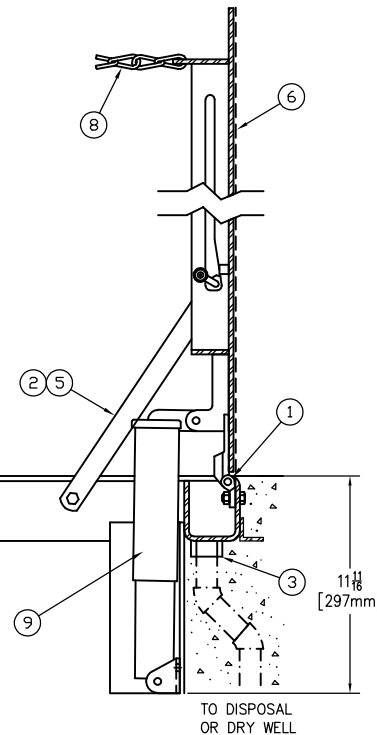


SECTION A-A



SECTION B-B



SPECIFICATIONS

1. BILCO HEAVY DUTY FORGED STAINLESS STEEL HINGES WITH STAINLESS STEEL PINS
2. GUIDE ARM (IF REQ'D)
3. 1-1/2" DRAIN COUPLING
4. STANDARD SLAM LOCK
5. BILCO AUTOMATIC HOLD OPEN ARM W/ RED VINYL GRIP
6. 1/4" STEEL DIAMOND PATTERN PLATE COVER
7. BILCO 1/4" STEEL CHANNEL FRAME WITH WELDED 1 1/4"x1 1/4" ANCHOR FLANGE
8. HEAVY DUTY CHECK CHAIN
9. SPRING LIFTING MECHANISM

SHOP FINISH:

STEEL: RED OXIDE PRIMER
 HARDWARE: NON-CORROSIVE MATERIALS
 (UNLESS OTHERWISE SPECIFIED)

REINFORCED FOR 300 Lbs. PER Sq. Ft.
 (1464 kg. PER Sq. METER) LIVE LOAD

INSTALLER NOTES:

- A. USE CAUTION. COVER IS SPRING LOADED. DO NOT REMOVE SAFETY SHIPPING BOLT UNTIL UNIT IS TO BE INSTALLED AND IN NORMAL HORIZONTAL OPERATING POSITION.
- B. BE SURE UNIT IS SET ON SLIGHT PITCH TOWARD DRAIN CORNER.
- C. BEFORE ANCHORING IN PLACE OPEN AND CLOSE DOOR. CHECK TO SEE THAT THE DOOR IN THE CLOSED POSITION RESTS ON THE FRAME ALL AROUND. IF NOT, SHIM UNDER THE FRAME AT THE PROPER CORNER.
- D. DO NOT REDUCE 1 1/2" DRAIN PIPE TO DRY WELL OR DISPOSAL SYSTEM.

CUSTOMER:

P.O. N°

JOB:

SALES REP:

Manufacturers of Doors for Special Services
Bilco® THE BILCO COMPANY
 New Haven, Connecticut 06505

**DOUBLE LEAF ACCESS DOOR
 TYPE JD - INTERIOR/EXTERIOR**

QTY	TYPE	SIZE	
		WIDTH	x LENGTH
<input type="checkbox"/>	JD-1	4'-0"	x 2'-6"
		[1220mm]	x [762mm]
<input type="checkbox"/>	JD-2	4'-0"	x 4'-0"
		[1220mm]	x [1220mm]
<input type="checkbox"/>	JD-3	4'-0"	x 6'-0"
		[1220mm]	x [1830mm]
<input type="checkbox"/>	JD-4	5'-0"	x 5'-0"
		[1525mm]	x [1525mm]

THIS DRAWING IS THE PROPERTY OF THE BILCO COMPANY AND INCORPORATES INFORMATION WHICH IS PROPRIETARY. PUBLICATION AND/OR PUBLIC DISTRIBUTION IN WHOLE OR IN PART IS EXPRESSLY PROHIBITED WITHOUT THE PRIOR WRITTEN CONSENT OF THE BILCO COMPANY. THE INFORMATION CONTAINED HEREIN REMAINS THE PROPERTY OF THE BILCO COMPANY. ALL RIGHTS RESERVED.