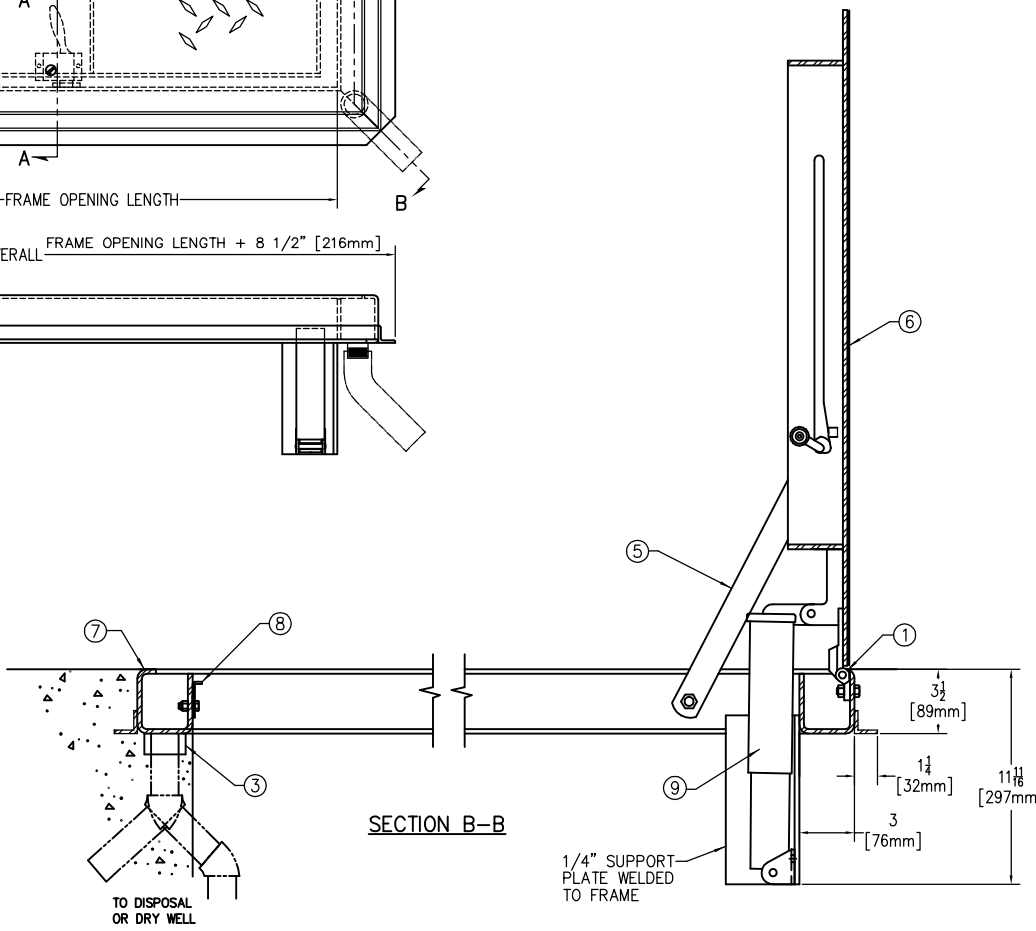


SECTION A-A
STANDARD SLAM LOCK



SECTION B-B

TO DISPOSAL
OR DRY WELL

1/4" SUPPORT
PLATE WELDED
TO FRAME

- SPECIFICATIONS**
1. BILCO HEAVY DUTY FORGED STAINLESS STEEL HINGES WITH STAINLESS STEEL PINS
 2. GUIDE ARM (IF REQ'D)
 3. 1-1/2" DRAIN COUPLING
 4. STANDARD SLAM LOCK
 5. BILCO AUTOMATIC HOLD OPEN ARM W/ RED VINYL GRIP
 6. 1/4" STEEL DIAMOND PATTERN PLATE COVER
 7. BILCO 1/4" STEEL CHANNEL FRAME WITH WELDED 1 1/4" X 1 1/4" ANCHOR FLANGE
 8. STAINLESS STEEL LOCK STRIKE
 9. SPRING LIFTING MECHANISM

SHOP FINISH:
STEEL: RED OXIDE PRIMER
HARDWARE: ZINC PLATED/CHROMATE SEALED
(UNLESS OTHERWISE SPECIFIED)

REINFORCED FOR 300 Lbs. PER Sq. Ft.
(1464 kg. PER Sq. METER) LIVE LOAD

- INSTALLER NOTES:**
- A. USE CAUTION. COVER IS SPRING LOADED. DO NOT REMOVE SAFETY SHIPPING BOLT UNTIL UNIT IS TO BE INSTALLED AND IN NORMAL HORIZONTAL OPERATING POSITION.
 - B. BE SURE UNIT IS SET ON SLIGHT PITCH TOWARD DRAIN CORNER.
 - C. BEFORE ANCHORING IN PLACE OPEN AND CLOSE DOOR. CHECK TO SEE THAT THE DOOR IN THE CLOSED POSITION RESTS ON THE FRAME ALL AROUND. IF NOT, SHIM UNDER THE FRAME AT THE PROPER CORNER.
 - D. DO NOT REDUCE 1 1/2" DRAIN PIPE TO DRY WELL OR DISPOSAL SYSTEM.

CUSTOMER:

P.O. NO.:

JOB:

TAG:

SALES REP.:

APPROVED BY:

DATE:

Manufacturers of Doors for Special Services
Bilco® THE BILCO COMPANY
New Haven, Connecticut 06505

**SINGLE LEAF ACCESS DOOR
TYPE J - INTERIOR/EXTERIOR**

QTY	TYPE	WIDTH x LENGTH SIZE
<input type="checkbox"/>	J-1	2'-0" x 2'-0" [610mm] x [610mm]
<input type="checkbox"/>	J-2	2'-6" x 2'-6" [762mm] x [762mm]
<input type="checkbox"/>	J-3	3'-0" x 2'-6" [914mm] x [762mm]
<input type="checkbox"/>	J-4	3'-0" x 3'-0" [914mm] x [914mm]
<input type="checkbox"/>	J-5	3'-6" x 3'-6" [1065mm] x [1065mm]

THIS DRAWING IS THE PROPERTY OF THE BILCO COMPANY AND INCORPORATES INFORMATION WHICH IS PROPRIETARY. PUBLICATION AND/OR PUBLIC DISTRIBUTION IN WHOLE OR IN PART IS EXPRESSLY PROHIBITED WITHOUT THE PRIOR WRITTEN CONSENT OF THE BILCO COMPANY. THE INFORMATION CONTAINED HEREIN REMAINS THE PROPERTY OF THE BILCO COMPANY. ALL RIGHTS RESERVED.