



an AmesburyTruth™ company

# Experience. Innovation.

## BR Basement Door

### Extension Panel Installation Instructions

Extension Panels to increase door length of BR doors are available in 6", 12", and 18" sizes.

#### HARDWARE:

(2) 1/4" x 1/2" round head bolts, (2) 1/4" nuts, (4) 1/4" x 2" nail-in anchors, (4) 1/4" x 1-3/4" Tapcon anchors

### INSTALLATION INSTRUCTIONS

The BR door extension panel is used to increase the length of your sloped wall basement door. The panel is installed at the top of the door (closest to the house) and is secured directly to the areaway foundation walls.

1. Follow the BR Basement Door Installation Instructions to position and secure the door frame to the foundation. **IMPORTANT:** Leave enough room at the top of the foundation opening for the header panel and only secure the header to the foundation at the two lower locations as shown in Figure 1 using nail driven anchors. The extension panel must overlap the header panel by at least 3/4" as shown in Figure 2.
2. Position the extension panel on top of the header panel and areaway as shown in Figure 2. Mark the extension panel's lower hole locations onto the header panel and drill holes using a 9/32" drill bit.
3. Secure the outside lower holes in the extension panel to the foundation using the nail driven anchors as shown in Figure 3.
4. Attach the extension panel to the door header panel at all inside lower holes locations using 1/4"-20 x 1/2" round head bolts as shown in Figure 4.
5. Secure the top outside hole locations in the extension panel to the foundation using nail driven anchors as shown in Figure 5 (Note: 6" extension panels do not have top holes and do not require this step). **IMPORTANT: Support brackets must be installed under all size extension panels to support the top edge of the panel.** From the underside of the door, position the support brackets 12" from each side so that they rest against the underside of the extension panel as shown in Figure 7. Secure the brackets to the exterior wall of the home using the 1/4" x 1-3/4" hex washer head tapcon anchors provided.
6. Install the flashing strip as shown in Figure 6 by following the instructions supplied with the basement door.
7. Apply a full bead of paintable silicone caulk around the entire perimeter of the extension panel and flashing strip.
8. Attach doors panels and lift assistance to frame by following the instructions supplied with the basement door.
9. If your door and extension panel have a primer finish, apply a finish coat of paint as instructed in the installation instructions supplied with the door. Doors and extension panels supplied with a powder coat finish do not require additional painting.

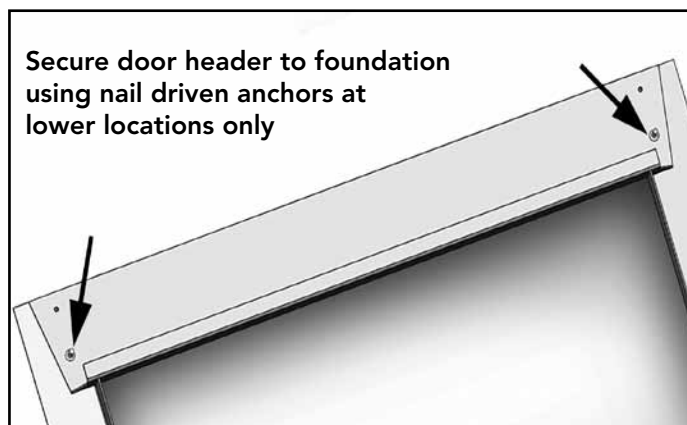


Figure 1

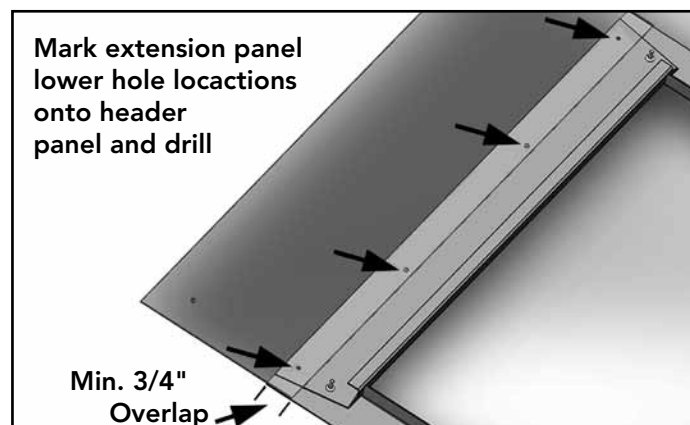


Figure 2

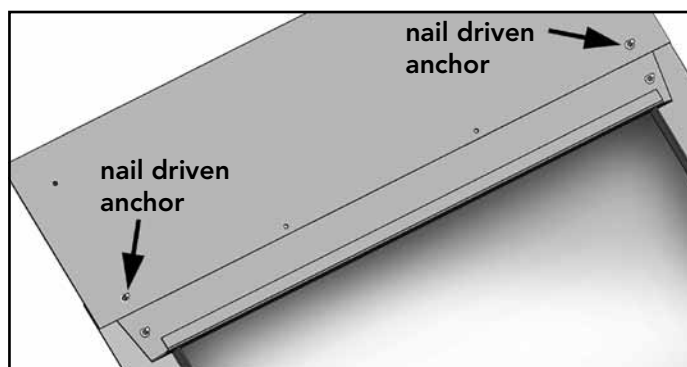


Figure 3

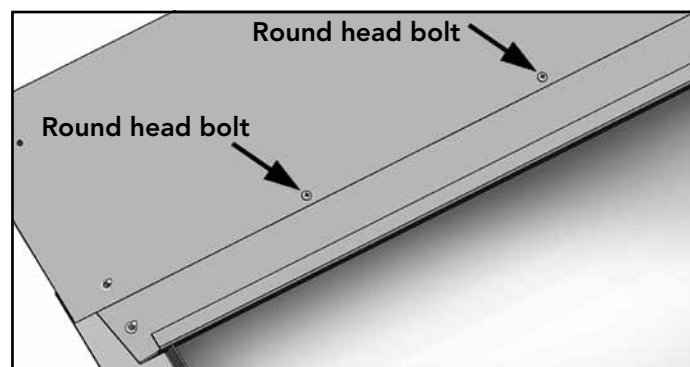


Figure 4

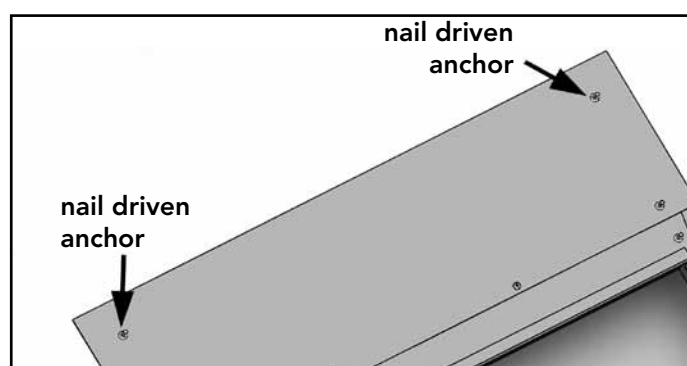


Figure 5

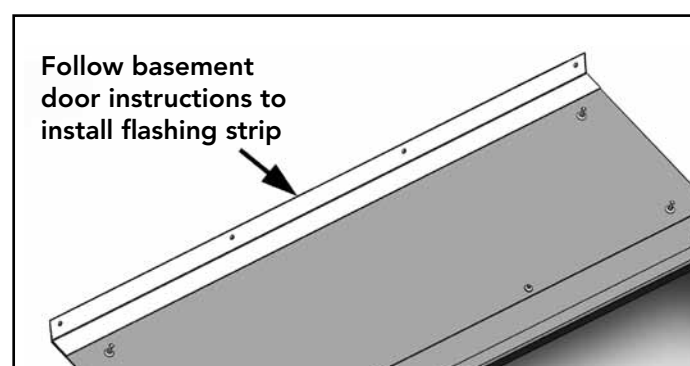


Figure 6

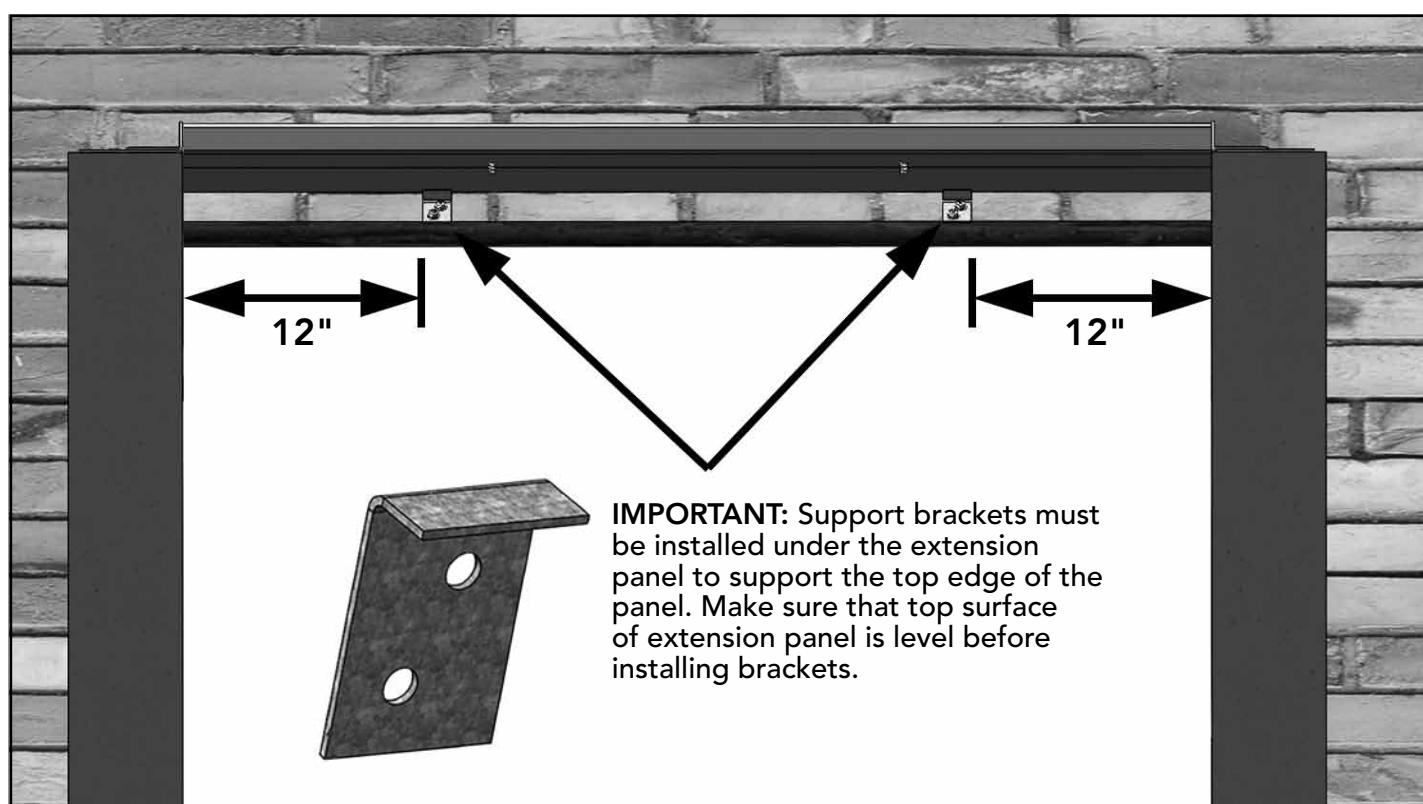


Figure 7

BILCO Customer Service  
(800) 854-9724  
www.bilco.com