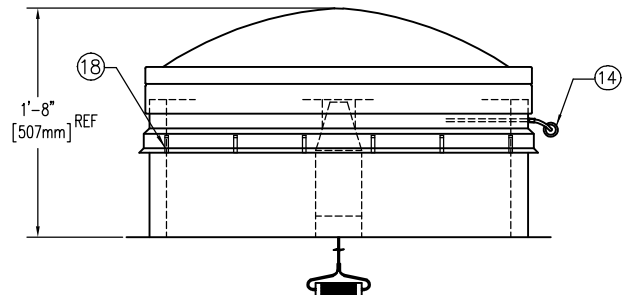
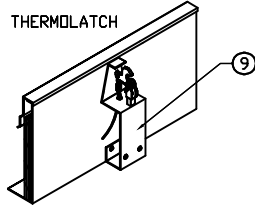


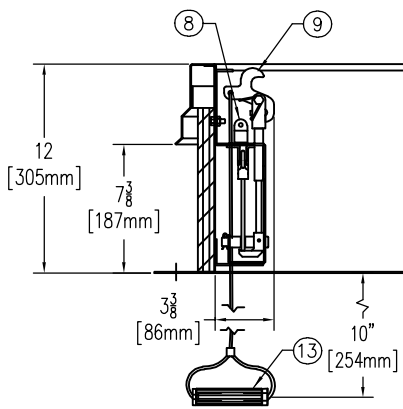
ANCHOR HOLE LAYOUT



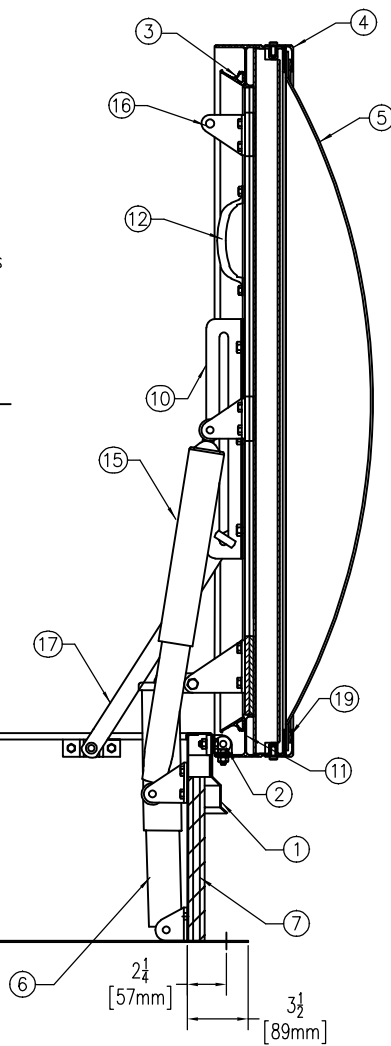
NOTE  
 1. COVERS SHALL OPEN AGAINST 10 PSF (49 kg/m<sup>2</sup>) SNOW/WIND LOAD  
 2. VENT ASSEMBLY RATED FOR 40 PSF (195 kg/m<sup>2</sup>) LIVE LOAD  
 3. COVERS WILL REMAIN CLOSED UNDER 90 PSF (438 kg/m<sup>2</sup>) WIND UPLIFT FORCE



1. THERMOLATCH MECHANISM - COVERS WILL OPERATE ONLY WHEN ACTIVATED  
 A. MANUALLY  
 B. BY HEAT AT 165°F FUSIBLE LINK  
 VIEW C



SECTION



**SPECIFICATIONS**

1. FRAME W/ CAPFLASHING (CORNERS FULL WELDED) GS-50SV - 11 GAUGE ALUMINUM
2. PINTLE HINGE
3. GASKET (ALL AROUND COVER)
4. EXTRUDED ALUMINUM COVER FRAME
5. POLYCARBONATE DOME (CLEAR)
6. SPRING LIFTING MECHANISM
7. 1" RIGID FIBERBOARD INSULATION
8. 165° FUSIBLE LINK (EXTRA LINK PROVIDED)
9. THERMOLATCH® POSITIVE HOLD/RELEASE MECHANISM
10. ARM GUIDE BRACKET
11. CONDENSATE CHANNEL WITH DRAINAGE TO EXTERIOR
12. GRAB HANDLE
13. PULL GRIP TO OPEN FROM INSIDE 1/8" DIA STEEL CABLE
14. PULL GRIP TO OPEN FROM OUTSIDE 1/8" DIA STEEL CABLE
15. SHOCK ABSORBER
16. COVER LATCH BRACKET
17. GUIDE ARM (2 REQ'D)
18. BILCLIP® FLASHING SYSTEM
19. BUTYL SEALANT

SHOP FINISH:  
 ALUMINUM: MILL FINISH  
 HARDWARE: NON-CORROSIVE MATERIALS (UNLESS OTHERWISE SPECIFIED)

THIS PRODUCT MAY BE INSTALLED ON EITHER A FLAT OR SLOPING ROOF. WHEN INSTALLED ON A SLOPE, THE HINGE SIDE MUST RUN PARALLEL WITH THE SLOPE. IF SLOPE EXCEEDS 30°, ADVISE FACTORY FOR MODIFICATION.

*CUSTOMER:*

*P.O. N°*

*JOB:*

*SALES REP:*

Manufacturers of Doors for Special Services  
**Bilco**® THE BILCO COMPANY  
 New Haven, Connecticut 06505

**SINGLE LEAF DOMED FIRE VENT**  
**TYPE GS-50SV SIZE 3'-0" x 2'-6"**  
 WIDTH x LENGTH

QTY	TYPE	METAL
□	GS-50SV	ALUM. COVER/ALUM. FRAME

THIS DRAWING IS THE PROPERTY OF THE BILCO COMPANY AND INCORPORATES INFORMATION WHICH IS PROPRIETARY. PUBLICATION AND/OR PUBLIC DISTRIBUTION IN WHOLE OR IN PART IS EXPRESSLY PROHIBITED WITHOUT THE PRIOR WRITTEN CONSENT OF THE BILCO COMPANY. THE INFORMATION CONTAINED HEREIN REMAINS THE PROPERTY OF THE BILCO COMPANY. ALL RIGHTS RESERVED.