

BILCO TYPE FR FIRE RATED FLOOR DOOR

INSTALLATION INSTRUCTIONS

&

OPERATION & MAINTENANCE INSTRUCTIONS

Revision Date : February 07, 2007

PROPRIETARY

Bilco Information for Authorized Personnel Only

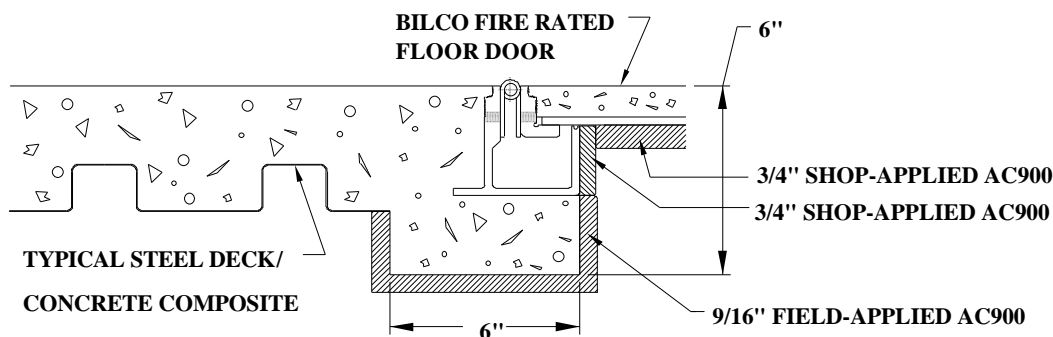
Do not Reproduce without Bilco Approval

**BILCO TYPE FR
FIRE RATED FLOOR DOOR
INSTALLATION INSTRUCTIONS**

- **CAUTION:** Cover is spring loaded to compensate for weight of filler material to be added later. Do not remove safety shipping bolt or open door until unit is in normal operating position and filler material has been added.
- Place door in opening so that hinge side is in desired position.
- Before pouring concrete or anchoring in place, check to see that door rests on frame all around. If not, shim under frame at proper corner.
- A continuous 6" x 6" concrete collar must be provided all around frame to maintain 2 hour fire rating. (Refer to customer drawing and section detail below). With door in closed position, pour concrete under frame and flush with top of frame. Pour concrete in cover pan to desired depth (minimum ½").

CAUTION: Support frame to prevent sagging. Frame must be secured to structural members, steel floor deck or rebar before concrete is poured. Do not permit weight of concrete to push frame inward to reduce clearances between frame and cover.

- After concrete is cured, apply 9/16" of AC900 (manufactured by Albi Manufacturing, East Berlin, CT) to all surfaces of concrete collar per manufacturer's instructions. Be sure that no gaps exist between these surfaces and the factory-applied coating on the frame. (Refer to customer drawing and section detail below).
- Apply finish flooring to pan, if specified.



Typical Installation Detail

PROPRIETARY

Bilco Information for Authorized Personnel Only
Do not Reproduce without Bilco Approval

Rev - 02/07/07

**OPERATION OF BILCO
TYPE FR
FIRE-RATED DOOR**

WARNING: Cover will close automatically in case of fire. When door is open, the opening shall be constantly attended by someone.

TO OPEN FROM ABOVE: With key furnished, remove slotted screw plug and insert square shaft of key through door and into latch. Turn key to retract latch tongue and lift door by it's edge or handle. Do not lift the door using the key. Move door to it's full open position.

TO OPEN FROM BELOW: Pull red vinyl release handle to retract latch tongue and raise door to it's full open position.

TO CLOSE FROM ABOVE: Push release button and move cover toward the closed position. Close door onto frame.

TO CLOSE FROM BELOW: Depending upon door configuration and it's size, location and use, it may be desirable to begin the closing procedure from above and start door closure prior to descending. The procedure used is dependent upon the particular application and surrounding conditions.

PROPRIETARY

**MAINTENANCE OF BILCO
TYPE FR
FIRE-RATED DOOR**

SELF-CLOSING MECHANISM: Annual inspection of all components is recommended. Inspect all hoses and fittings for damage. Automatic actuation of self-closing mechanism should be tested annually. From the underside of the unit, melt the fusible link and observe the cover as it closes and latches. (CAUTION: Stand clear of cover as it closes).

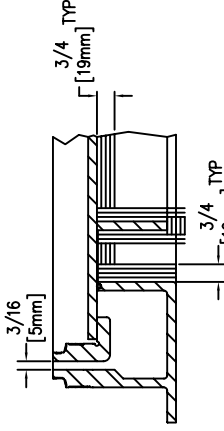
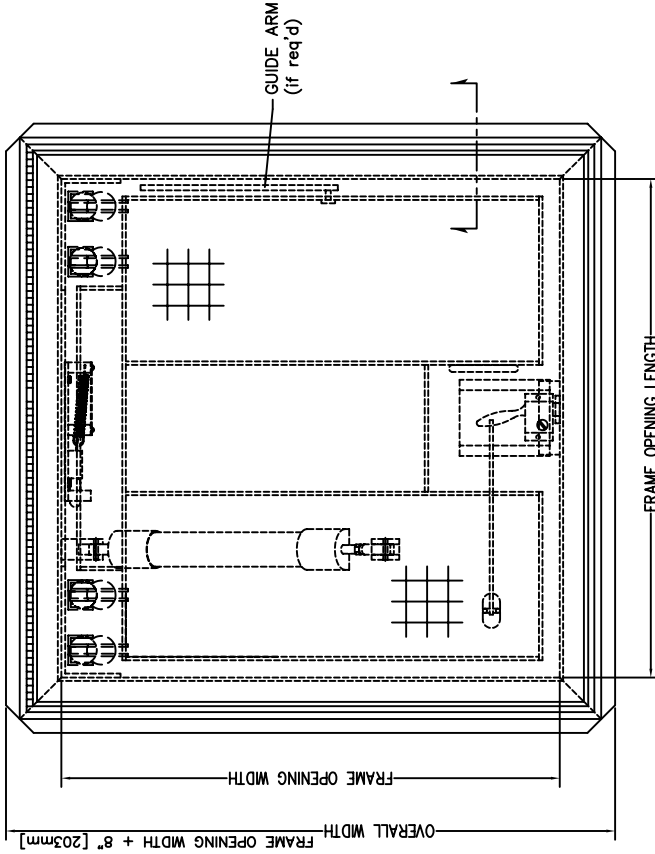
To reset mechanism, rotate valve lever to closed position and attach fusible link. Replace CO₂ cartridge.

FIREPROOFING: Inspect coating for damage. Gouges and other voids should be repaired using Albi-Clad 900 intumescent coating, applied according to manufacturer's instructions.

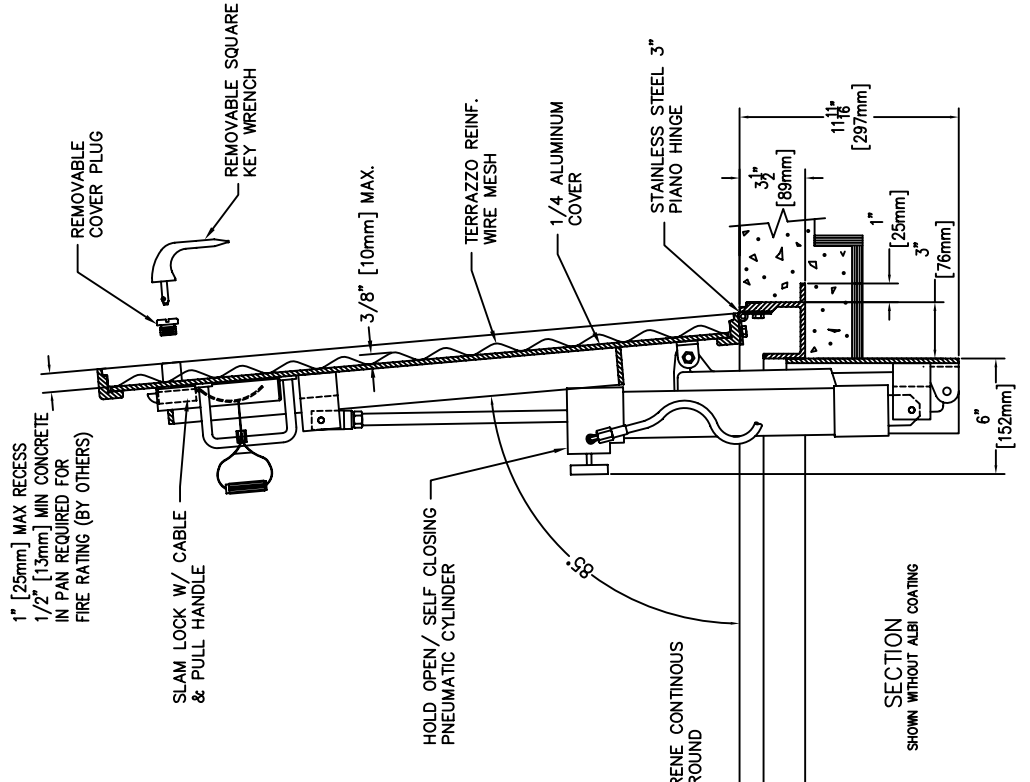
LUBRICATION: Annual cleaning and oiling of the hinge will assure smooth operation.

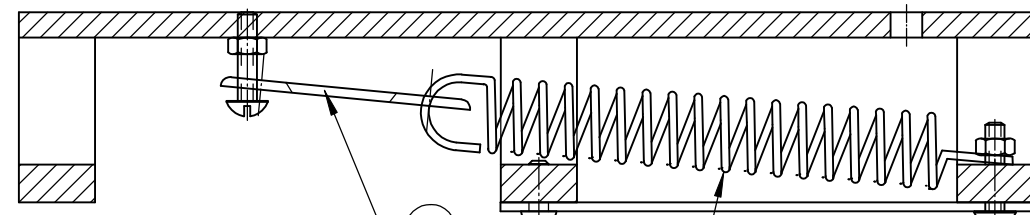
PROPRIETARY

BILCO TYPE FR FIRE RATED DOOR



TYPICAL SECTION OF ALBI CLAD 900 INTUMESCENT MASTIC FIRE PROOF COATING

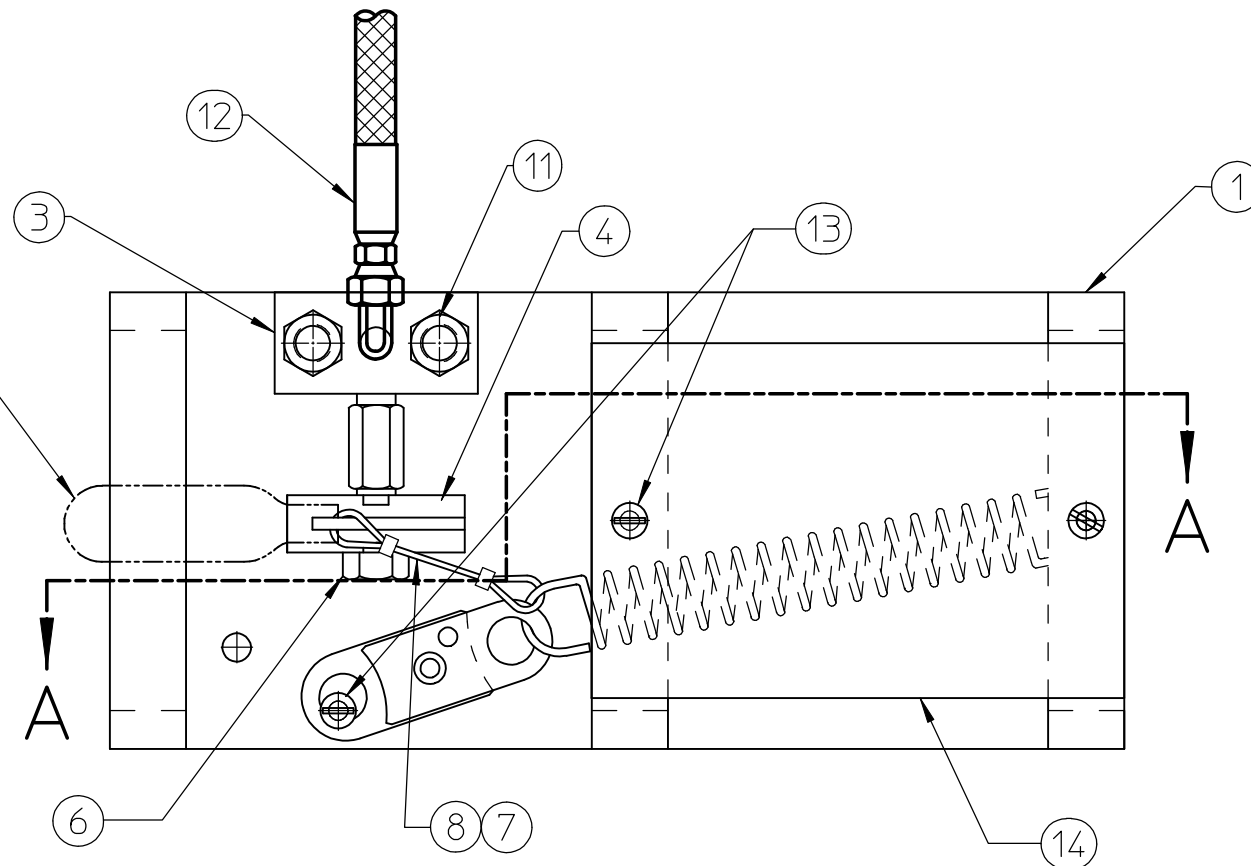




SECTION A-A

9 10

SEE
FR-504



INSTALL CO2 CARTRIDGE
AT FINAL ASSEMBLY

A

A

ITEM	DESCRIPTION	PART NO	QTY
1	PLATE-MANIFOLD WELDMENT	FR-501	1
2	SPRING-EXTENSION 3"	FR-402	1
3	CLAMP-MANIFOLD CO2	FR-403	1
4	INFLATOR-MANUAL 3/8"	FR-262	1
5	LINK-FUSIBLE, 165 DEGREES, TYPE A, 97	SD145	1
6	NUT-CAP PLATED	FR-263	1
7	CABLE-AIRCRAFT 1/16" S.S.	SHL28	4"
8	CONNECTOR-CABLE 1/16"	SHL31	2
9	SCREW-RHMS #10-24 X 7/8"	SD1976	2
10	NUT-KEP #10-24 ZINC PLATED	SD1978	2
11	SCREW-RHMS 1/4"-20 X 1 1/4" 316SS	SD2021/16	2
12	#4 JICM x 1/8" NPT FLARE O-FITTING		1
13	SCREW-RHMS #10-24 X 1/2"	SD1975	2
14	PLATE-COVER FR	FR-411	1
* 15	RESTRICTOR	FR-260	1

*NOT SHOWN IN ASSEMBLY

**Uncontrolled
Copy**

NOTE:
SPRING (FR-402) MUST EXTEND TO 5 3/4" OVERALL'

THIS DRAWING IS THE PROPERTY OF THE BILCO COMPANY AND INCORPORATES PROPRIETARY INFORMATION. PUBLICATION AND/OR PUBLIC DISTRIBUTION IN WHOLE OR IN PART IS EXPRESSLY PROHIBITED WITHOUT THE PRIOR WRITTEN CONSENT OF THE BILCO COMPANY. THE INFORMATION CONTAINED HEREIN REMAINS THE PROPERTY OF THE BILCO COMPANY. ALL RIGHTS RESERVED.

Manufacturers of Doors for Special Services
Bilco
THE BILCO COMPANY
New Haven, Connecticut 06505

Title:
MECHANISM-RELEASE FR DOOR

Material: _____ Finish: _____
Weight: _____ Drawn By: ATR Date: 06/03/04 Scale: 1:2 Drawing No. FR-500 Rev. D
Approved: _____ Date: _____ Drawing Size: B

REV	DESCRIPTION	ECN	BY	APP	DATE
D	ADDED FR-260 TO B.O.M.	19578	ATR		06/06/05
C	ITEM 11 WAS SD2025/16	18744	ATR		01/17/05
B	REMOVED PART # F2404-4-2	17615	ATR		08/23/04
A	NEW RELEASE	17287	ATR		07/19/04

UNLESS OTHERWISE SPECIFIED REMOVE ALL BURRS & SHARP CORNERS
DIMENSION TOLERANCES
x.xxx +/- .010
x.xx +/- .015
x.x +/- .030
ANGLES +/- 2°
FRACTIONS +/- 1/16
DO NOT SCALE DRAWING

PROPRIETARY
Bilco Information for Authorized Personnel Only
Do not Reproduce without Bilco Approval