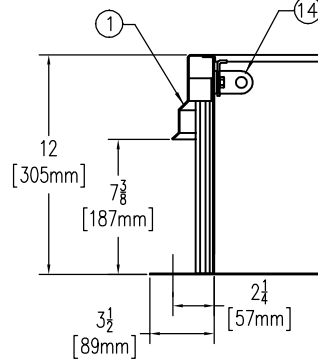
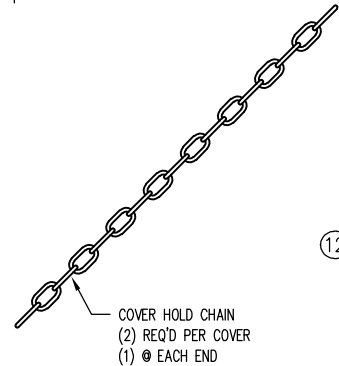
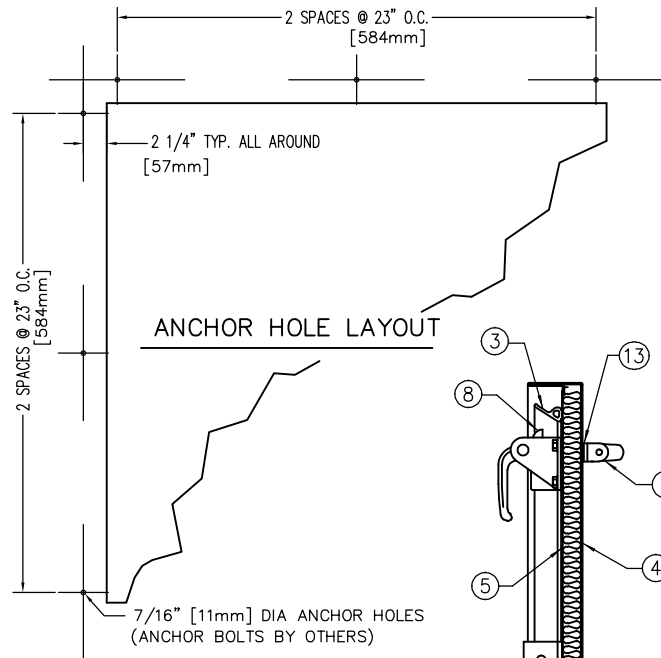
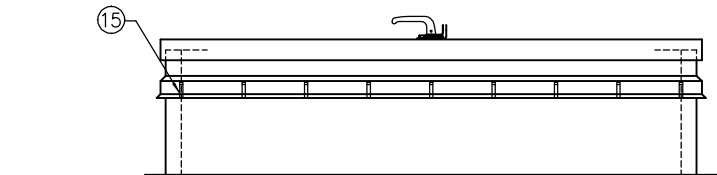
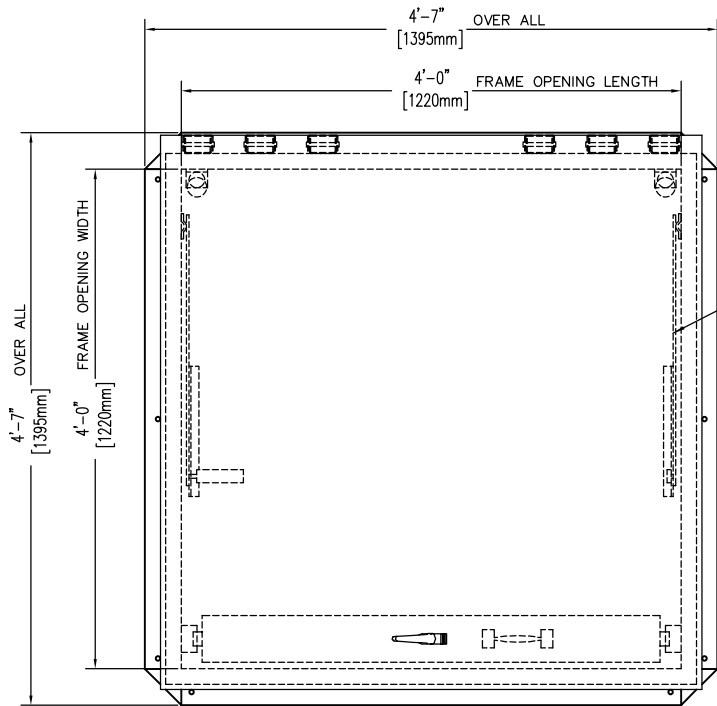


MIAMI-DADE PRODUCT APPROVED (NOA NO. 20-1104.24)
 MEETING LARGE AND SMALL MISSILE IMPACT REQUIREMENTS
 FLORIDA PRODUCT APPROVAL #FL15110-R5



SECTION

SPECIFICATIONS

1. FRAME W/ CAPFLASHING (CORNERS FULL WELDED)
 F-20HZ - 14 GAUGE P.B. GALV. STEEL
 F-50HZ - 11 GAUGE ALUMINUM
2. PINTLE HINGE
3. GASKET (ALL AROUND COVER)
4. COVER GAUGE
 F-20HZ - 14 GAUGE P.B. GALV. STEEL
 F-50HZ - 11 GAUGE ALUMINUM
5. COVER LINER
 F-20HZ - 22 GAUGE P.B. GALV. STEEL
 F-50HZ - 18 GAUGE ALUMINUM
6. SPRING LIFTING MECHANISM
7. 1" RIGID FIBERBOARD INSULATION
8. SLAM LATCH (2 POINT)
9. INSIDE AND OUTSIDE HANDLES W/PADLOCK HASPS
10. ARM GUIDE BRACKET
11. 1" THICK FIBERGLASS COVER INSULATION
12. HEAVY DUTY HOLD OPEN ARM W/ RED VINYL GRIP
13. NEOPRENE GASKET
14. LOCK STRIKE & PADLOCK HASP
15. BILCLIP® FLASHING SYSTEM
16. GUIDE ARM

SHOP FINISH:
 STEEL: RED OXIDE PRIMER
 ALUMINUM: MILL FINISH
 HARDWARE: NON-CORROSIVE MATERIALS
 (UNLESS OTHERWISE SPECIFIED)

THIS PRODUCT MAY BE INSTALLED ON EITHER A FLAT OR SLOPING ROOF. WHEN INSTALLED ON A SLOPE, THE HINGE SIDE MUST RUN PARALLEL WITH THE SLOPE. IF SLOPE EXCEEDS 30°, ADVISE FACTORY FOR MODIFICATION.

CUSTOMER:

P.O. N°:

JOB:

SALES REP:

Manufacturers of Doors for Special Services
Bilco® THE BILCO COMPANY
 New Haven, Connecticut 06505

SINGLE LEAF ROOF SCUTTLE
TYPE F SIZE 4'-0" x 4'-0"
 WIDTH x LENGTH

QTY	TYPE	METAL
<input type="checkbox"/>	F-20 HZ	STEEL COVER/STEEL FRAME
<input type="checkbox"/>	F-50 HZ	ALUM. COVER/ALUM. FRAME

THIS DRAWING IS THE PROPERTY OF THE BILCO COMPANY AND INCORPORATES INFORMATION WHICH IS PROPRIETARY. PUBLICATION AND/OR PUBLIC DISTRIBUTION IN WHOLE OR IN PART IS EXPRESSLY PROHIBITED WITHOUT THE PRIOR WRITTEN CONSENT OF THE BILCO COMPANY. THE INFORMATION CONTAINED HEREIN REMAINS THE PROPERTY OF THE BILCO COMPANY. ALL RIGHTS RESERVED.