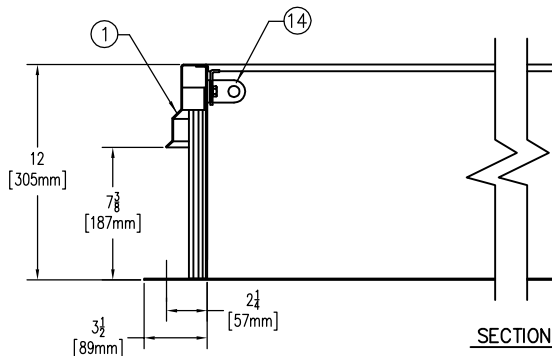
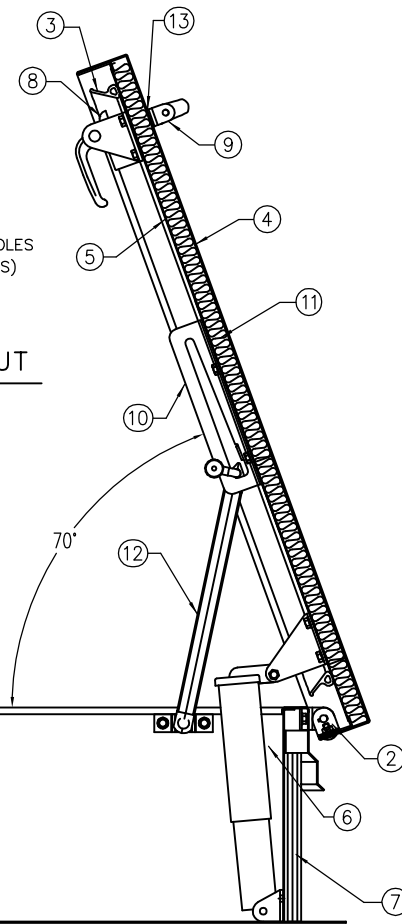


ANCHOR HOLE LAYOUT



SECTION

**SPECIFICATIONS**

1. FRAME W/ CAPFLASHING (CORNERS FULL WELDED)
  - E-20 - 14 GAUGE GALVANNEAL STEEL
  - E-40 - 14 GAUGE GALVANNEAL STEEL
  - E-50 - 11 GAUGE ALUMINUM
2. PINTLE HINGE
3. GASKET (ALL AROUND COVER)
4. COVER GAUGE
  - E-20 - 14 GAUGE GALVANNEAL STEEL
  - E-40 - 11 GAUGE ALUMINUM
  - E-50 - 11 GAUGE ALUMINUM
5. COVER LINER
  - E-20 - 22 GAUGE GALVANNEAL STEEL
  - E-40 - 18 GAUGE ALUMINUM
  - E-50 - 18 GAUGE ALUMINUM
6. SPRING LIFTING MECHANISM
7. 1" RIGID FIBERBOARD INSULATION
8. SLAM LATCH
9. INSIDE AND OUTSIDE HANDLES W/ PADLOCK HASPS
10. ARM GUIDE BRACKET
11. 1" THICK FIBERGLASS COVER INSULATION
12. HOLD OPEN ARM W/ RED VINYL GRIP
13. NEOPRENE GASKET
14. LOCK STRIKE & PADLOCK HASP
15. BILCLIP® FLASHING SYSTEM

SHOP FINISH:  
 STEEL: RED OXIDE PRIMER  
 ALUMINUM: MILL FINISH  
 HARDWARE: ZINC PLATED/CHROMATE SEALED  
 (UNLESS OTHERWISE SPECIFIED)

THIS PRODUCT MAY BE INSTALLED ON EITHER A FLAT OR SLOPING ROOF. WHEN INSTALLED ON A SLOPE, THE HINGE SIDE MUST RUN PARALLEL WITH THE SLOPE. IF SLOPE EXCEEDS 30°, ADVISE FACTORY FOR MODIFICATION.

CUSTOMER:

P.O. NO:

JOB:

TAG:

SALES REP:

APPROVED BY:

DATE:

Manufacturers of Doors for Special Services  
**Bilco**® THE BILCO COMPANY  
 New Haven, Connecticut 06505

**SINGLE LEAF ROOF SCUTTLE**  
**TYPE E SIZE 3'-0" x 3'-0"**  
WIDTH x LENGTH

| QTY                      | TYPE | METAL                   |
|--------------------------|------|-------------------------|
| <input type="checkbox"/> | E-20 | STEEL COVER/STEEL FRAME |
| <input type="checkbox"/> | E-40 | ALUM. COVER/STEEL FRAME |
| <input type="checkbox"/> | E-50 | ALUM. COVER/ALUM. FRAME |

THIS DRAWING IS THE PROPERTY OF THE BILCO COMPANY AND INCORPORATES INFORMATION WHICH IS PROPRIETARY. PUBLICATION AND/OR PUBLIC DISTRIBUTION IN WHOLE OR IN PART IS EXPRESSLY PROHIBITED WITHOUT THE PRIOR WRITTEN CONSENT OF THE BILCO COMPANY. THE INFORMATION CONTAINED HEREIN REMAINS THE PROPERTY OF THE BILCO COMPANY. ALL RIGHTS RESERVED.