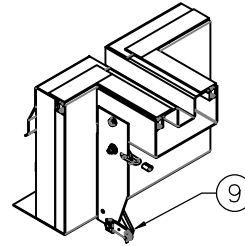
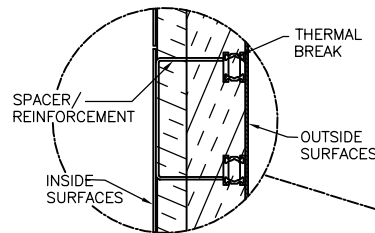


THERMOLATCH® II
CURB - MOUNTED RESET

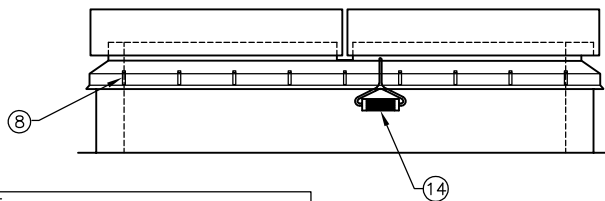


1. THERMOLATCH MECHANISM - COVERS WILL OPERATE ONLY WHEN ACTIVATED
 - A. MANUALLY
 - B. BY HEAT AT 165° FUSIBLE LINK
2. MANUFACTURER TO PROVIDE LABEL WITH INSTRUCTIONS TO RESET LATCH ON INTERIOR OF FRAME

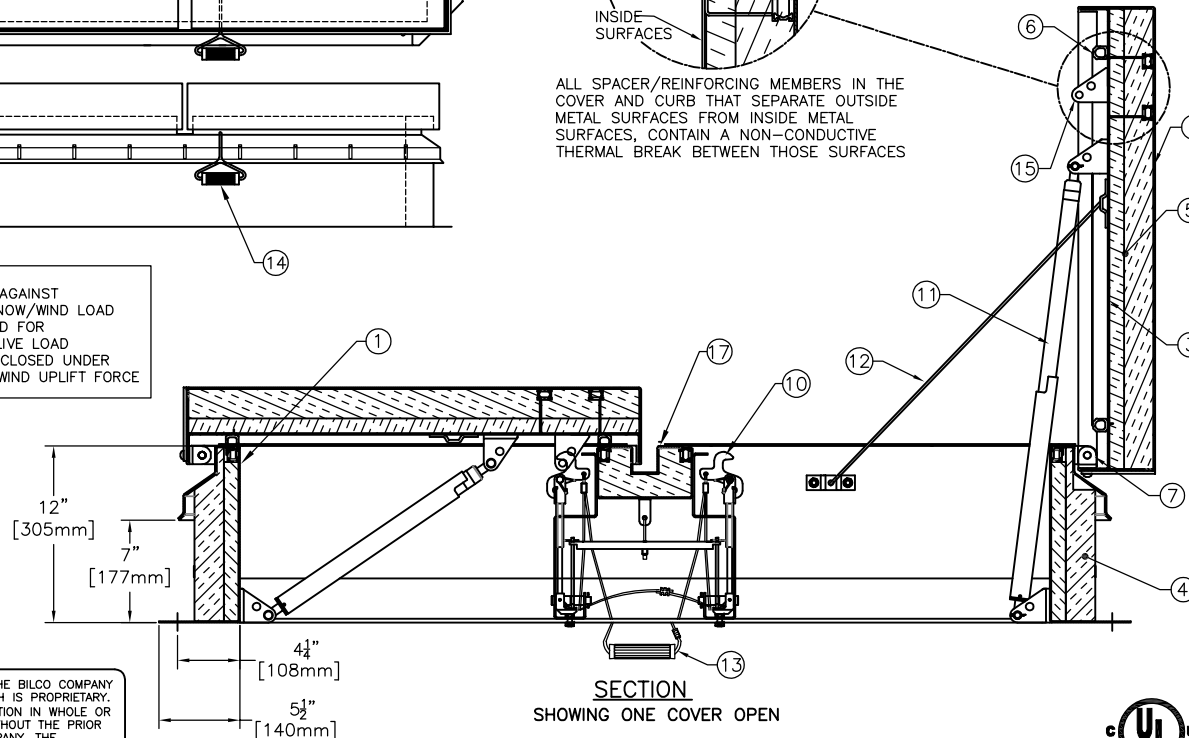
VIEW A



ALL SPACER/REINFORCING MEMBERS IN THE COVER AND CURB THAT SEPARATE OUTSIDE METAL SURFACES FROM INSIDE METAL SURFACES, CONTAIN A NON-CONDUCTIVE THERMAL BREAK BETWEEN THOSE SURFACES



- NOTE
1. COVERS SHALL OPEN AGAINST 10 PSF (49 kg/m²) SNOW/WIND LOAD
 2. VENT ASSEMBLY RATED FOR 40 PSF (195 kg/m²) LIVE LOAD
 3. COVERS WILL REMAIN CLOSED UNDER 90 PSF (438 kg/m²) WIND UPLIFT FORCE



SECTION
SHOWING ONE COVER OPEN

SPECIFICATIONS

1. THERMALLY BROKEN CURB W/INTEGRAL CAPFLASHING 11 GA. ALUMINIUM (CORNERS FULLY WELDED)
2. THERMALLY BROKEN COVER - 11 GA. ALUMINIUM
3. COVER LINER - 18 GA. ALUMINIUM
4. 3" [75mm] POLYISOCYANURATE CURB INSULATION
5. 3" [75mm] POLYISOCYANURATE COVER INSULATION
6. EPDM GASKET (ALL AROUND COVER)
7. PINTLE HINGE - STAINLESS STEEL TYPE 316
8. Bilclip® FLASHING SYSTEM
9. 165° FUSIBLE LINK (EXTRA LINK PROVIDED)
10. THERMOLATCH® POSITIVE HOLD/RELEASE MECHANISM
11. GAS SPRINGS WITH DAMPER & HOLD OPEN FEATURE
12. COVER RESTRAINT CABLE, (1) @ EACH END
13. PULL GRIP TO OPEN FROM INSIDE 1/8" DIA. STEEL CABLE
14. PULL GRIP TO OPEN FROM OUTSIDE 1/8" DIA. STEEL CABLE
15. COVER LATCH BRACKET
16. R-VALUE EQUALS 20.3 (COVER AND CURB)
17. FIXED CENTER DRAIN

SHOP FINISH

ALUMINIUM: MILL FINISH
HARDWARE: NON-CORROSIVE MATERIALS (UNLESS OTHERWISE SPECIFIED)

GENERAL NOTES:

1. THIS PRODUCT MAY BE INSTALLED ON EITHER A FLAT OR SLOPING ROOF. WHEN INSTALLED ON A SLOPE, THE HINGE SIDE MUST RUN PARALLEL WITH THE SLOPE. IF SLOPE EXCEEDS 30°, ADVISE FACTORY FOR MODIFICATION.
2. FULL SPECIFICATIONS ARE AVAILABLE ON WEBSITE: www.bilco.com

CUSTOMER:

P.O. NO:

JOB:

TAG:

SALES REP:

APPROVED BY:

DATE:

Bilco® Manufacturers of Doors for Special Services
THE BILCO COMPANY
New Haven, Connecticut 06505

**DOUBLE LEAF FIRE VENT
TYPE DSH-TB**

QTY	TYPE	SIZE WIDTH x LENGTH
□	DSH-TB	_____ X _____ HINGE SIDE

WEB SITE: www.bilco.com

THIS DRAWING IS THE PROPERTY OF THE BILCO COMPANY AND INCORPORATES INFORMATION WHICH IS PROPRIETARY. PUBLICATION AND/OR PUBLIC DISTRIBUTION IN WHOLE OR IN PART IS EXPRESSLY PROHIBITED WITHOUT THE PRIOR WRITTEN CONSENT OF THE BILCO COMPANY. THE INFORMATION CONTAINED HEREIN REMAINS THE PROPERTY OF THE BILCO COMPANY. ALL RIGHTS RESERVED.



© 07-17-23 THE BILCO COMPANY