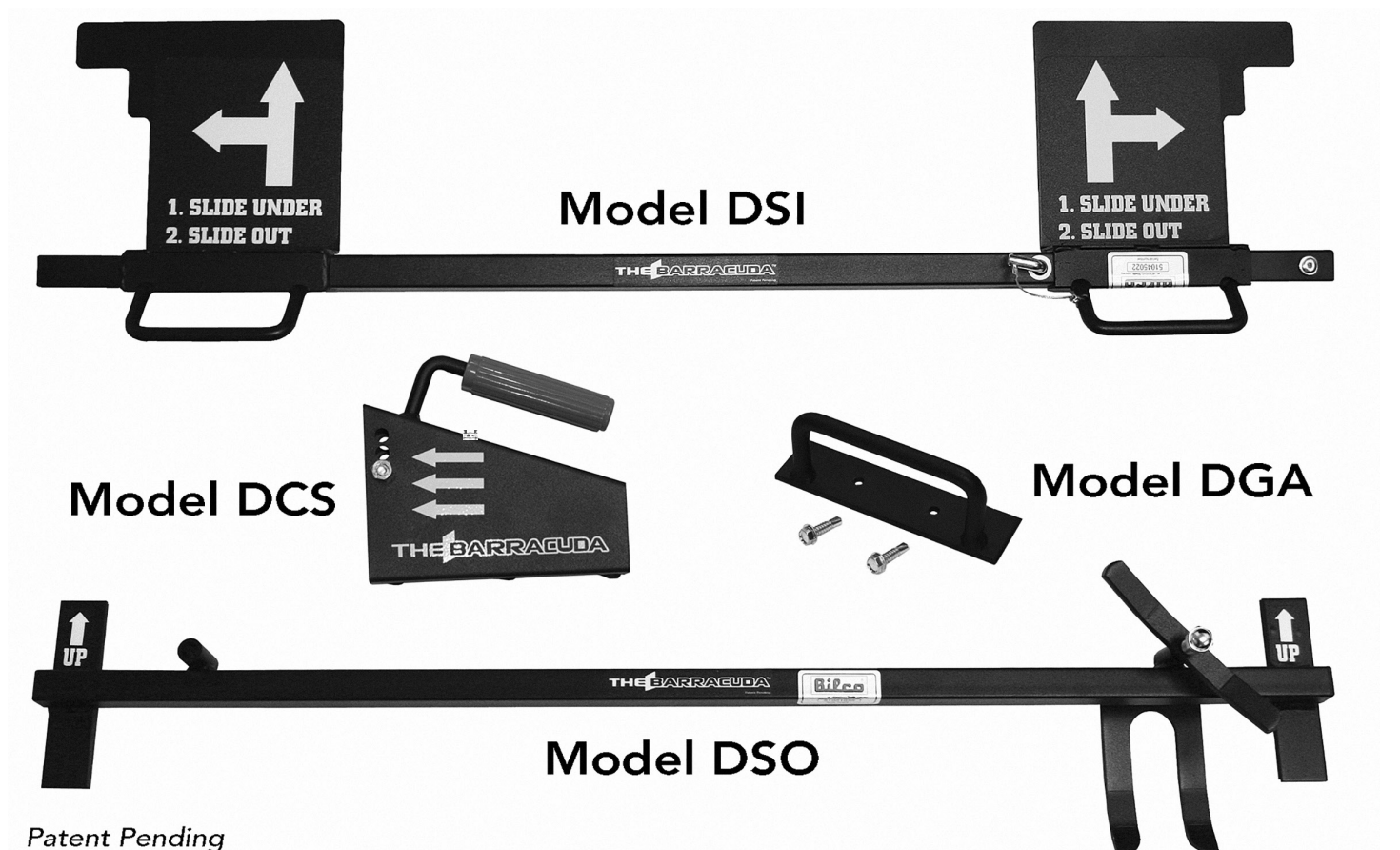


Experience. Innovation.

Deployment Instructions

BARRACUDA™ INTRUDER DEFENSE SYSTEM

The **Barracuda Intruder Defense System** consists of three very easy-to-use devices: **Model DSI** for inward swinging doors; **Model DSO** for outward swinging doors; and **Model DCS** for door closers. The DCS is designed to be used in conjunction with the DSI or DSO to provide an additional level of security. Due to the wide variety and inconsistency of door closers and their fasteners, it is not recommended to use the DCS as a standalone solution.



BILCO Customer Service (800) 854-9724
www.BILCO-barracuda.com

Model DSI For Inward Swinging Doors



STEP 1: Lay the device on the floor behind the closed door.



STEP 2: Slide the plates under the door.



STEP 3: Push the handles outward to engage the plates on the exterior door jambs.



STEP 4: Locate the hole in the bar by sliding the bar as required.



STEP 5: Insert the pin to secure the device.



FULLY DEPLOYED

Model DSO For Outward Swinging Doors



STEP 1: Position the hook over the door handle so it is facing downwards and the threaded rod is above the cross bar.



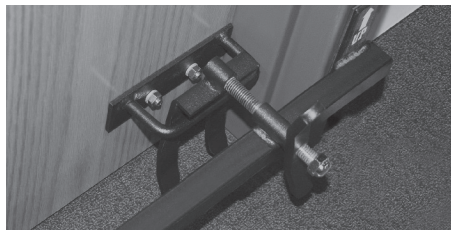
STEP 2: Position the bar so that the foot pad rests against the face of the door jamb.



STEP 3: Push the handles outward to engage the plates on the exterior door jambs.



FULLY DEPLOYED



The **Model DGA** mounting cleat should be used on doors with windows or side lights. See installation instructions supplied with the DGA model.

Important: Models DS-LGCLW1 and DSO-PB-3 for wide door jambs should only be used with the DGA mounting cleat. **DO NOT** deploy these models directly to a door knob or handle.

Model DCS For Scissor Action Door Closing Devices*



STEP 1: Door closers are adjustable for different size closers. Adjust the bolt to one of the three holes to ensure a snug fit on the door closer.



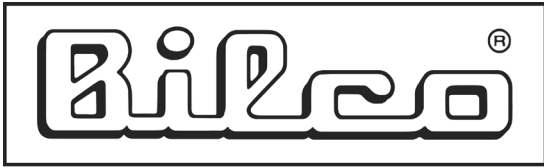
STEP 2: Slide the device over the door closer to secure the door.



FULLY DEPLOYED

*Must be used with DSI or DSO device

Watch the Barracuda deployment instruction video at www.BILCO-barracuda.com.



an AmesburyTruth™ company

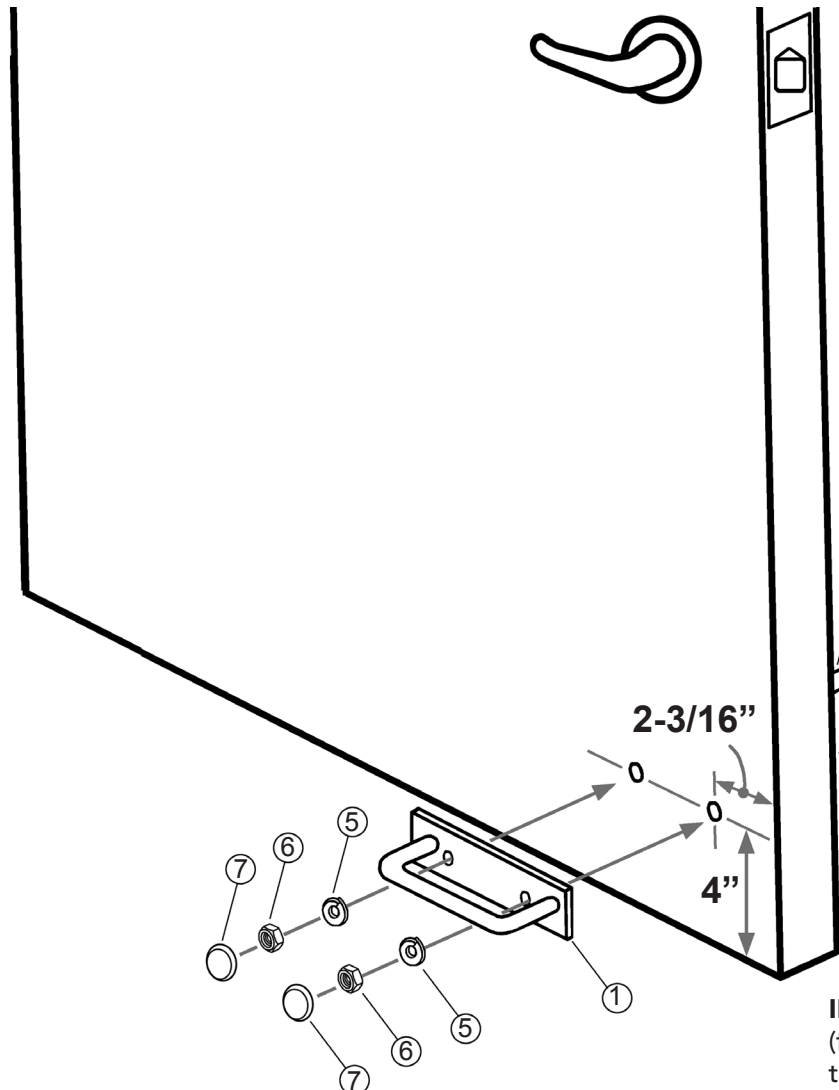
Experience. Innovation.

Barracuda™ Intruder Defense System Model DGA Installation Instructions

BILCO Customer Service (800) 854-9724
www.bilco-barracuda.com

Parts List:

- | | |
|----------------------------------------|---------------------------------------|
| (1) DGA Mounting Cleat | (2) 7/8" OD x 3/8" ID Flat washers |
| (2) 5/16"-18 x 2-1/2" Round Head Bolts | (2) Split Lock Washers |
| (2) 5/16"-18 Nuts | (2) Vinyl Caps |
| | (2) 1/2" OD x 1-3/4" Aluminum Spacers |



Installation Instructions:

Locate DGA mounting cleat as shown on left. Mark and drill two 9/16" holes through door. Insert 2-1/2" bolts with flat washer and aluminum spacer from hall side. Place lock washers and DGA base-plate on screws and tighten nuts securely. Place vinyl caps on ends of bolts to conceal exposed threads.

- ① Mounting Cleat
- ② Bolts
- ③ Flat Washers
- ④ Spacers
- ⑤ Split Washers
- ⑥ Nuts
- ⑦ Vinyl Caps

Optional Model DGA mounting cleat can be used with all Barracuda DSO models on doors with push bar locks or windows/side lights if glass breakage is a concern.

IMPORTANT: Models DS-LGCLW1 and DSO-PB-3 (for wide door jambs) should only be used with the DGA mounting cleat. DO NOT deploy these models directly to a door knob or handle.