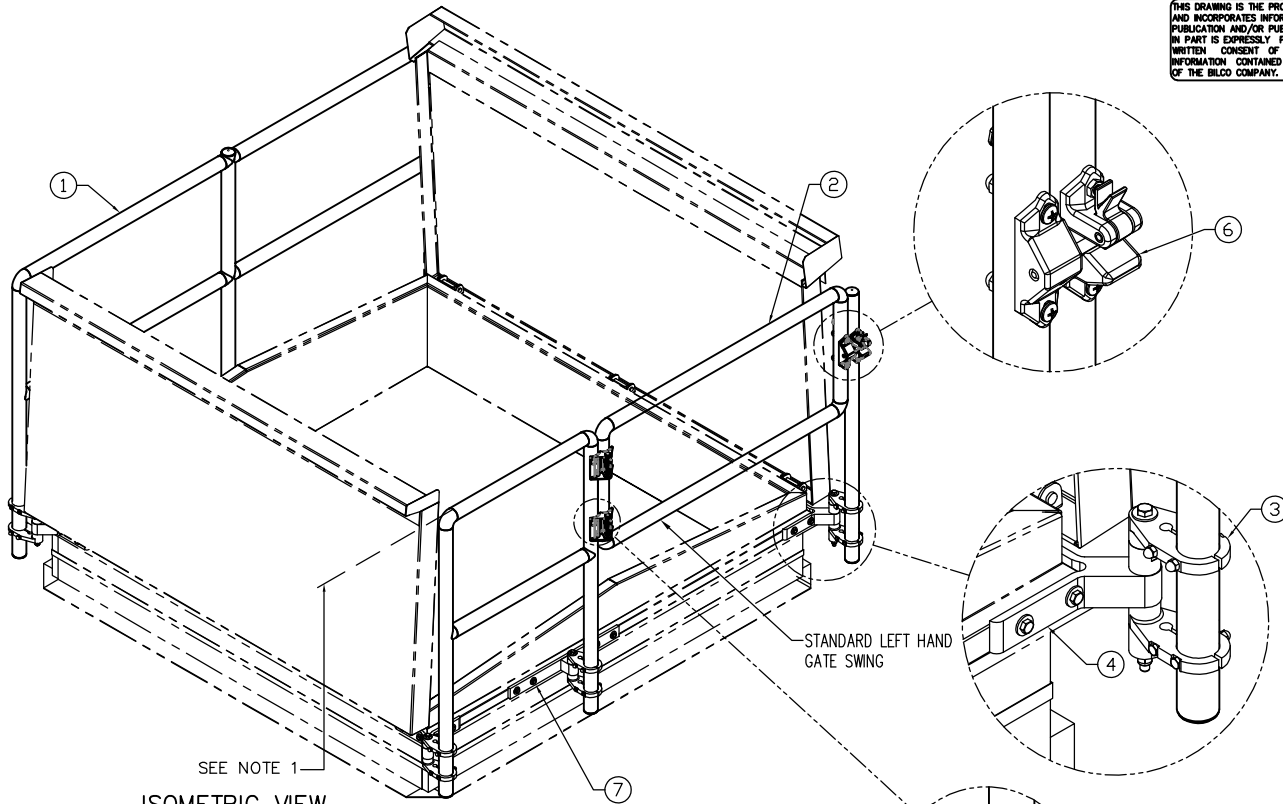
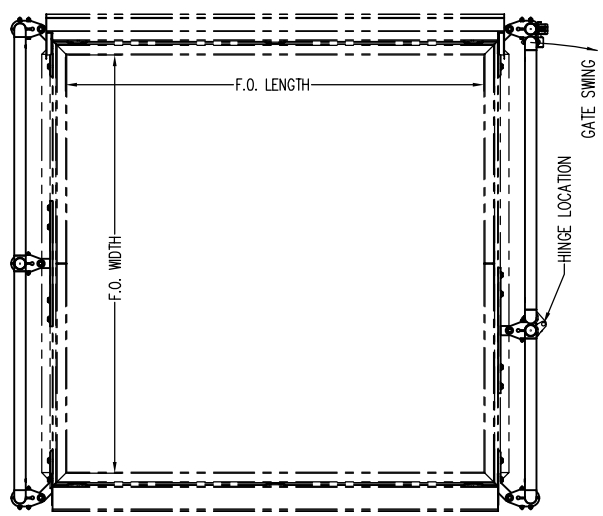


THIS DRAWING IS THE PROPERTY OF THE BILCO COMPANY AND INCORPORATES INFORMATION WHICH IS PROPRIETARY. PUBLICATION AND/OR PUBLIC DISTRIBUTION IN WHOLE OR IN PART IS EXPRESSLY PROHIBITED WITHOUT THE PRIOR WRITTEN CONSENT OF THE BILCO COMPANY. THE INFORMATION CONTAINED HEREIN REMAINS THE PROPERTY OF THE BILCO COMPANY. ALL RIGHTS RESERVED.



SEE NOTE 1
ISOMETRIC VIEW



PLAN VIEW

NOTE:
THIS DRAWING REPRESENTS THE BIL-GUARD®2.0 HATCH RAIL SYSTEM, THE VENT IS SHOWN FOR REFERENCE ONLY AND MAY NOT REFLECT ALL OPTIONS

BIL-GUARD®2.0 DOUBLE LEAF ROOF SCUTTLE INFORMATION					
CURB TYPE	<input type="checkbox"/>	CAP FLASHING	<input type="checkbox"/>	FULLY ENCLOSED	<input type="checkbox"/>
INSULATION SIZE	<input type="checkbox"/>	1"	<input type="checkbox"/>	2"	<input type="checkbox"/>
				3"	<input type="checkbox"/>

SPECIFICATIONS

- 1 1/4" SCHEDULE 40 PIPE IN 6061 T6 ALUMINUM ALLOY RAILS
- SELF CLOSING GATE
- ALUMINUM POST SUPPORTS
- CORNER BRACKETS
- STAINLESS STEEL SPRING HINGES
- CAST ALUMINUM GATE LATCH W/ STAINLESS STEEL PIN
- SIDE BRACKET

NOTES:

- TOP OF RAIL TO BE SET 42" ABOVE THE ROOF SURFACE OR DECK
- LEFT HAND GATE SHOWN
- ALL FASTENERS ARE STAINLESS STEEL
- ALL PARTS AND FASTENERS ARE INCLUDED IN PACKAGE. CAPFLASHING MUST BE STRUCTURALLY SOUND TO SUPPORT ASSEMBLY
- POWDER COAT FINISH IN RAL 1018, SAFETY YELLOW

ROOF SCUTTLE NOT INCLUDED

CUSTOMER:

P.O. NO:

JOB:

TAG:

SALES REP:

APPROVED BY:

DATE:

Manufacturers of Doors for Special Services
 THE BILCO COMPANY
 New Haven, Connecticut 06505

BIL-GUARD®2.0 - HATCH RAIL SYSTEM FOR DOUBLE LEAF ROOF SCUTTLE

QTY	TYPE	SIZE	
		WIDTH	LENGTH
<input type="text"/>	RL2-D	<input type="text"/>	x <input type="text"/>
			HINGE SIDE

WEB SITE: www.bilco.com