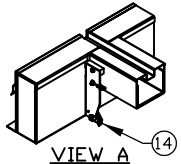
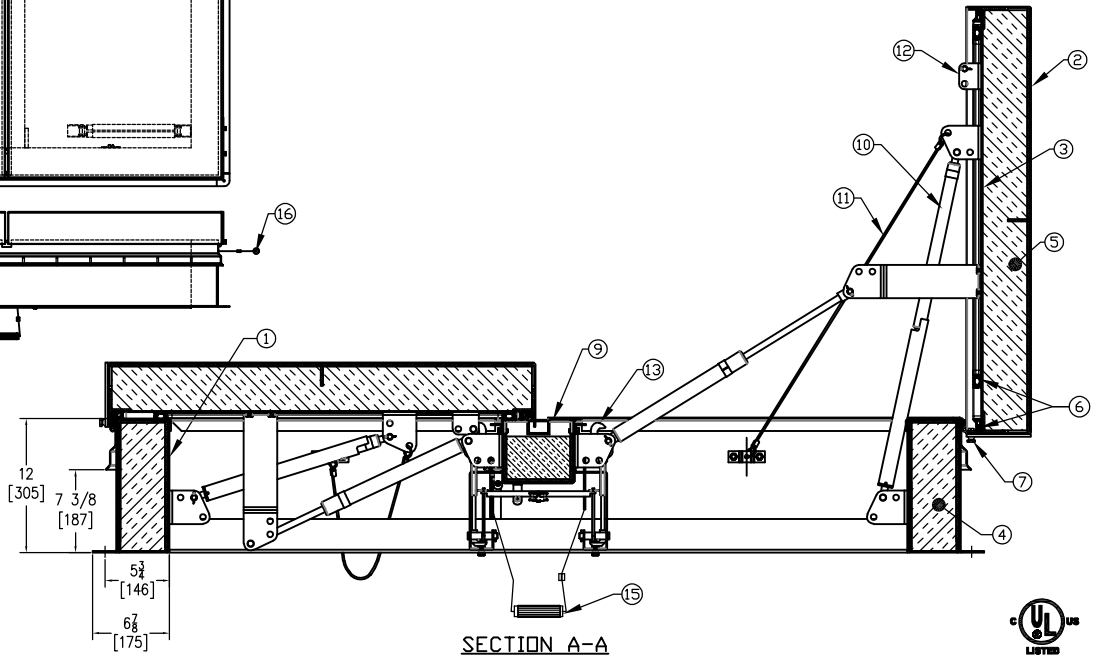


- NOTES:
- COVERS SHALL OPEN AGAINST 10 PSF (49 kg/m<sup>2</sup>) SNOW/WIND LOAD
  - VENT ASSEMBLY RATED FOR 40 PSF (195 kg/m<sup>2</sup>) LIVE LOAD
  - COVERS WILL REMAIN CLOSED UNDER 90 PSF (438 kg/m<sup>2</sup>) WIND UPLIFT FORCE
  - STC-50 AND OITC-46 SOUND RATING
  - ISO 140-18 RAINFALL SOUND RATING-37.5db

THERMOLATCH® II  
CURB - MOUNTED RESET



1. THERMOLATCH MECHANISM - COVERS WILL OPERATE ONLY WHEN ACTIVATED
- MANUALLY
  - BY HEAT AT 165° FUSIBLE LINK
2. MANUFACTURER TO PROVIDE LABEL WITH INSTRUCTIONS TO RESET LATCH ON INTERIOR OF FRAME



- SPECIFICATIONS**
- CURB, FULLY ENCLOSED W/ INTEGRAL CAP FLASHING (CORNERS FULLY WELDED) - 10 GA. GALVANNEAL STEEL
  - COVER - 14 GA. GALVANNEAL STEEL
  - COVER LINER - 12 GA. GALVANNEAL STEEL
  - 4" CURB INSULATION
  - 4" COVER INSULATION
  - GASKET (ALL AROUND)
  - PIANO HINGE
  - BILCLIP® FLASHING SYSTEM
  - FIXED CENTER DRAIN
  - GAS SPRINGS W/ DAMPER & HOLD OPEN FEATURE (CORROSION RESISTANT)
  - COVER RESTRAINT CABLE
  - COVER LATCH BRACKET
  - THERMOLATCH® POSITIVE HOLD/RELEASE MECHANISM
  - 165° FUSIBLE LINK (EXTRA LINK PROVIDED)
  - INTERIOR PULL RELEASE CABLE
  - EXTERIOR PULL RELEASE CABLE

**SHOP FINISH**  
STEEL: RED OXIDE PRIMER  
HARDWARE: ZINC PLATED/CHROMATE SEALED (UNLESS OTHERWISE SPECIFIED)

- NOTES:**
- THIS PRODUCT MAY BE INSTALLED ON EITHER A FLAT OR SLOPING ROOF. WHEN INSTALLED ON A SLOPE, THE HINGE SIDE MUST RUN PARALLEL WITH THE SLOPE. IF SLOPE EXCEEDS 30°, ADVISE FACTORY FOR MODIFICATION.
  - FULL SPECIFICATIONS ARE AVAILABLE ON WEBSITE: WWW.BILCO.COM

**CUSTOMER:**

**P.O. NO.:**

**JOB:**

**TAG:**

**SALES REP.:**

**APPROVED BY:**

**DATE:**

Manufacturers of Doors for Special Services  
**Bilco**® THE BILCO COMPANY  
New Haven, Connecticut 06505

**DOUBLE LEAF SMOKE VENT  
TYPE ACDSV QUAD UNIT**

QTY	MODEL	SIZE WIDTH x LENGTH
<input type="text"/>	<input type="text"/>	<input type="text"/> x <input type="text"/>
		HINGE SIDE

THIS DRAWING IS THE PROPERTY OF THE BILCO COMPANY AND INCORPORATES INFORMATION WHICH IS PROPRIETARY. PUBLICATION AND/OR PUBLIC DISTRIBUTION IN WHOLE OR IN PART IS EXPRESSLY PROHIBITED WITHOUT THE PRIOR WRITTEN CONSENT OF THE BILCO COMPANY. THE INFORMATION CONTAINED HEREIN REMAINS THE PROPERTY OF THE BILCO COMPANY. ALL RIGHTS RESERVED.



07-17-23 THE BILCO COMPANY