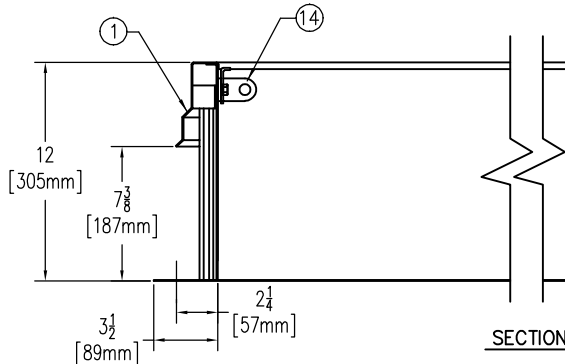
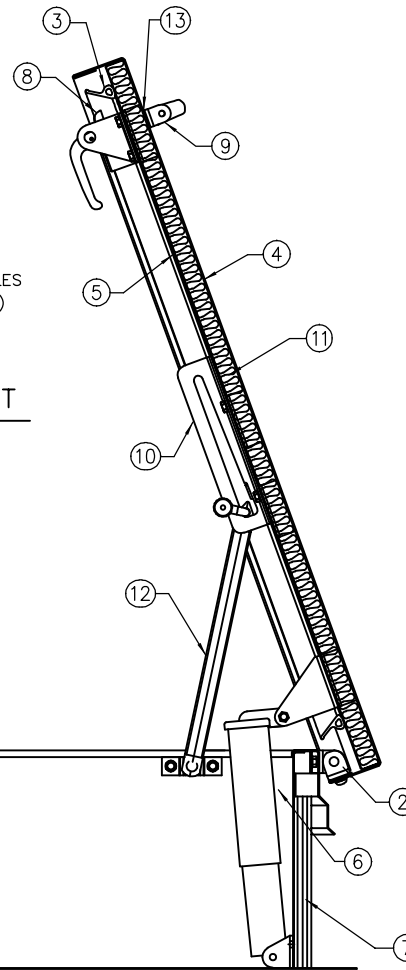
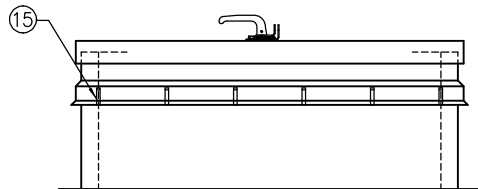


ANCHOR HOLE LAYOUT



SECTION

**SPECIFICATIONS**

1. FRAME W/ CAPFLASHING (CORNERS FULL WELDED)
  - S-20 - 14 GAUGE P.B. GALV. STEEL
  - S-40 - 14 GAUGE P.B. GALV. STEEL
  - S-50 - 11 GAUGE ALUMINUM
  - S-90 - 14 GAUGE TYPE 304 STAINLESS STEEL
2. PINTLE HINGE
3. GASKET (ALL AROUND COVER)
4. COVER GAUGE
  - S-20 - 14 GAUGE P.B. GALV. STEEL
  - S-40 - 11 GAUGE ALUMINUM
  - S-50 - 11 GAUGE ALUMINUM
  - S-90 - 14 GAUGE TYPE 304 STAINLESS STEEL
5. COVER LINER
  - S-20 - 22 GAUGE P.B. GALV. STEEL
  - S-40 - 18 GAUGE ALUMINUM
  - S-50 - 18 GAUGE ALUMINUM
  - S-90 - 22 GAUGE TYPE 304 STAINLESS STEEL
6. SPRING LIFTING MECHANISM
7. 1" RIGID FIBERBOARD INSULATION
8. SLAM LATCH
9. INSIDE AND OUTSIDE HANDLES W/ PADLOCK HASPS
10. ARM GUIDE BRACKET
11. 1" THICK FIBERGLASS COVER INSULATION
12. HOLD OPEN ARM W/ RED VINYL GRIP
13. NEOPRENE GASKET
14. LOCK STRIKE & PADLOCK HASP
15. BILCLIP® FLASHING SYSTEM

SHOP FINISH:

- STEEL: RED OXIDE PRIMER
- ALUMINUM: MILL FINISH
- HARDWARE: NON-CORROSIVE MATERIALS (UNLESS OTHERWISE SPECIFIED)
- STAINLESS STEEL: BEADBLAST FINISH TYPE 316 S/S HARDWARE

THIS PRODUCT MAY BE INSTALLED ON EITHER A FLAT OR SLOPING ROOF. WHEN INSTALLED ON A SLOPE, THE HINGE SIDE MUST RUN PARALLEL WITH THE SLOPE. IF SLOPE EXCEEDS 30°, ADVISE FACTORY FOR MODIFICATION.

CUSTOMER:

P.O. N°

JOB:

SALES REP:

Manufacturers of Doors for Special Services  
**Bilco**® THE BILCO COMPANY  
 New Haven, Connecticut 06505

**SINGLE LEAF ROOF SCUTTLE**  
**TYPE S SIZE 3'-0" x 2'-6"**

QTY	TYPE	WIDTH x LENGTH METAL
<input type="checkbox"/>	S-20	STEEL COVER/STEEL FRAME
<input type="checkbox"/>	S-40	ALUM. COVER/STEEL FRAME
<input type="checkbox"/>	S-50	ALUM. COVER/ALUM. FRAME
<input type="checkbox"/>	S-90	STLS STL COVER/STLS STL FRAME

MIAMI-DADE PRODUCT APPROVED (NOA NO. 19-1029.10)  
 MEETING LARGE AND SMALL MISSLE IMPACT REQUIREMENTS  
 FLORIDA PRODUCT APPROVAL #FL15110

TYPE: S-20 AND S-50 ONLY

THIS DRAWING IS THE PROPERTY OF THE BILCO COMPANY AND INCORPORATES INFORMATION WHICH IS PROPRIETARY. PUBLICATION AND/OR PUBLIC DISTRIBUTION IN WHOLE OR IN PART IS EXPRESSLY PROHIBITED WITHOUT THE PRIOR WRITTEN CONSENT OF THE BILCO COMPANY. THE INFORMATION CONTAINED HEREIN REMAINS THE PROPERTY OF THE BILCO COMPANY. ALL RIGHTS RESERVED.